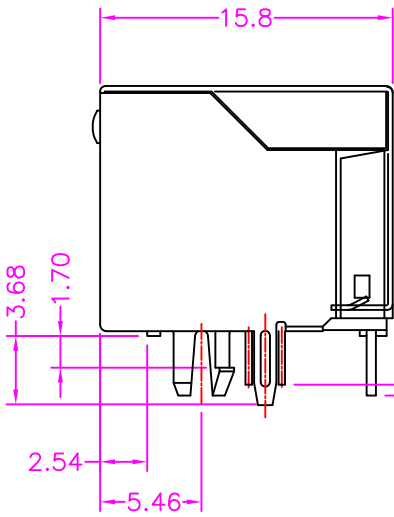
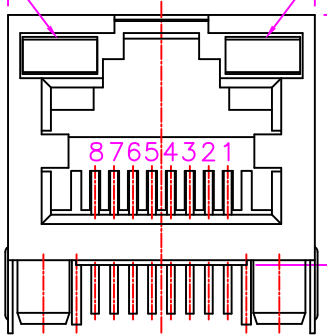


LED 1 LED 2

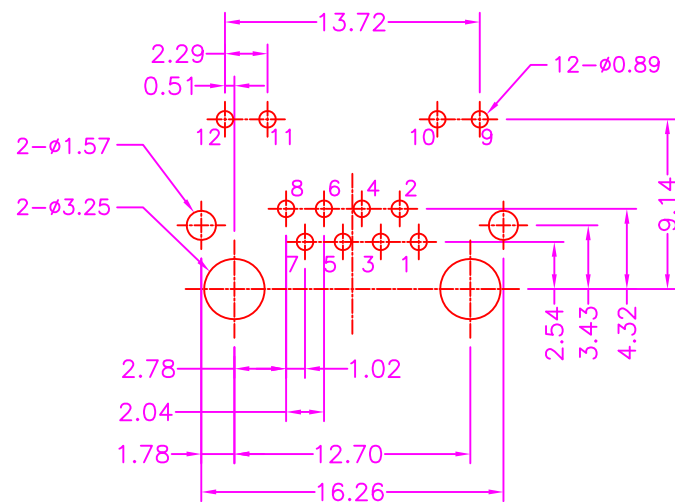
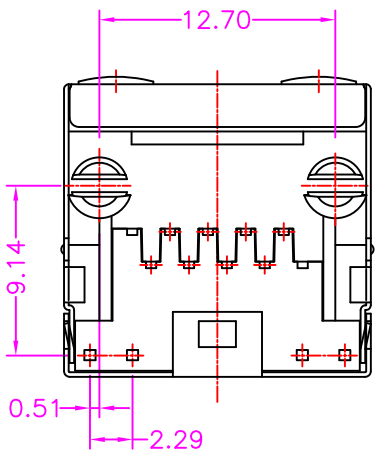


MATERIALS

HOUSING: THERMOPLASTIC (UL 94V-0)
 SHELL: COPPER ALLOY, NICKEL PLATING
 TERMINAL: COPPER ALLOY, GOLD PLATED ON CONTACT AREA
 TIN PLATING ON SOLDER TAIL

SPECIFICATION

CURRENT RATING: 1.5 AMP MAX
 DIELECTRIC WITHSTANDING: 500V AC FOR ONE MINUTE
 CONTACT RESISTANCE: 30m OHMS MAX
 INSULATION RESISTANCE: 1000M OHMS MIN AT DC 500V
 OPERATION TEMPERATURE: -40°C~+85°C



PART NUMBER:

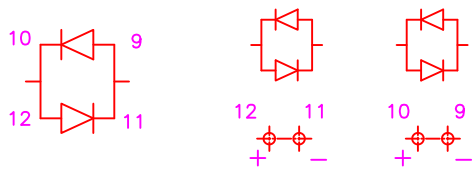
3MJBI - 8 8 * T 2 - 1 1 2 *

SERIES
 8 POSITION & 8 CONTACT
 CONTACT PLATED OPTION
 LED COLOR OPTION REF. TABLE 1
 TRAY PACKAGE
 REAR PCB STOP
 TIN PLATING ON SOLDER TAIL

- 1: GOLD FLASH
- 3: 3u" GOLD
- 5: 5u" GOLD
- 7: 15u" GOLD
- 9: 30u" GOLD
- 11: 6u" GOLD

TABLE 1

PART NUMBER	LED Color Option	
	LED 1	LED 2
3MJBI-88*T2-1121	Yellow/Green	Yellow/Green
3MJBI-88*T2-1122	Green/Orange	Green/Orange



LED SCHEMATIC

P.C.B LAYOUT TOP VIEW ±0.05

Cyberconn Technology Co., Ltd.
 www.cyberconn.com.tw Tel:+886-3-4951314

TOLERANCES	TITLE	MODULAR JACK SERIES				
X.X ±0.3 X.XX ±0.2 X.XXX ±0.1 Angle ±5°		RJ45, PCB MOUNT, SIDE ENTRY, METAL SHIELD FEMALE WITH LED				
	DRAWN BY	CHECKED BY	APPROVED BY			
	Janice	Lion	Benson			
	UNIT	SCALE	SIZE	DRAW NO.	REV.	Sheet
	10108	MM	NONE	A4	3MJBI-002	A 1/1

A	RELEASE	2012.8.15
REV.	DESCRIPTION	DATE