

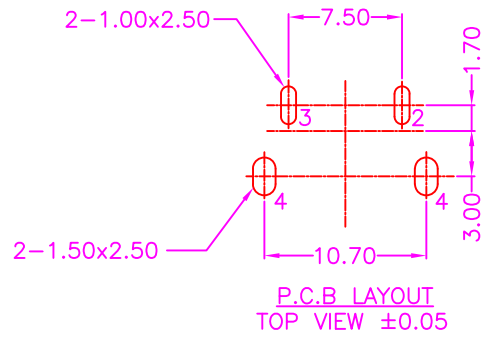
**MATERIALS**

HOUSING: PBT (UL 94V-0)  
 FRONT SHELL: ZINC, NICKEL PLATING  
 REAR SHELL: IRON, TIN PLATING  
 TERMINAL: COPPER ALLOY, TIN PLATING

**PART NUMBER:**

5BNAA - 0 T 1 - 1 4 1

SERIES — BAG PACKAGE  
 TIN PLATING ON TERMINAL



**Cyberconn Technology Co., Ltd.**  
 www.cyberconn.com.tw Tel: +886-3-4951314

TOLERANCES	TITLE RF COAXIAL CONNECTOR SERIES				
X.X ±0.3	BNC, PCB MOUNT, VERTICAL, FEMALE, SWITCH				
X.XX ±0.2	DRAWN BY	CHECKED BY	APPROVED BY		
X.XXX ±0.1	Janice	Lion	Benson		
Angle ±5°	UNIT	SCALE	SIZE	DRAW NO.	REV.
	10101	MM	NONE	A4	5BNAA-001
					Sheet
					1/1

A	RELEASE	2012.5.16
REV.	DESCRIPTION	DATE