

P.C.B. LAYOUT
TOP VIEW ±0.05

MATERIALS

HOUSING: HI-TEMP. PLASTIC (UL 94V-0), BLACK
TERMINAL: COPPER ALLOY, GOLD PLATED

SPECIFICATION

CURRENT RATING: 0.5 AMP MAX
DIELECTRIC WITHSTANDING: 300V AC FOR ONE MINUTE
CONTACT RESISTANCE: 35m OHMS MAX
INSULATION RESISTANCE: 500M OHMS MIN AT DC 500V
OPERATION TEMPERATURE: -55°C~+85°C

PART NUMBER:
OXCBB - 3 0 * - 1 * 0

SERIES ————
NO. OF POS. ————
CONTACT PLATED OPTION ————

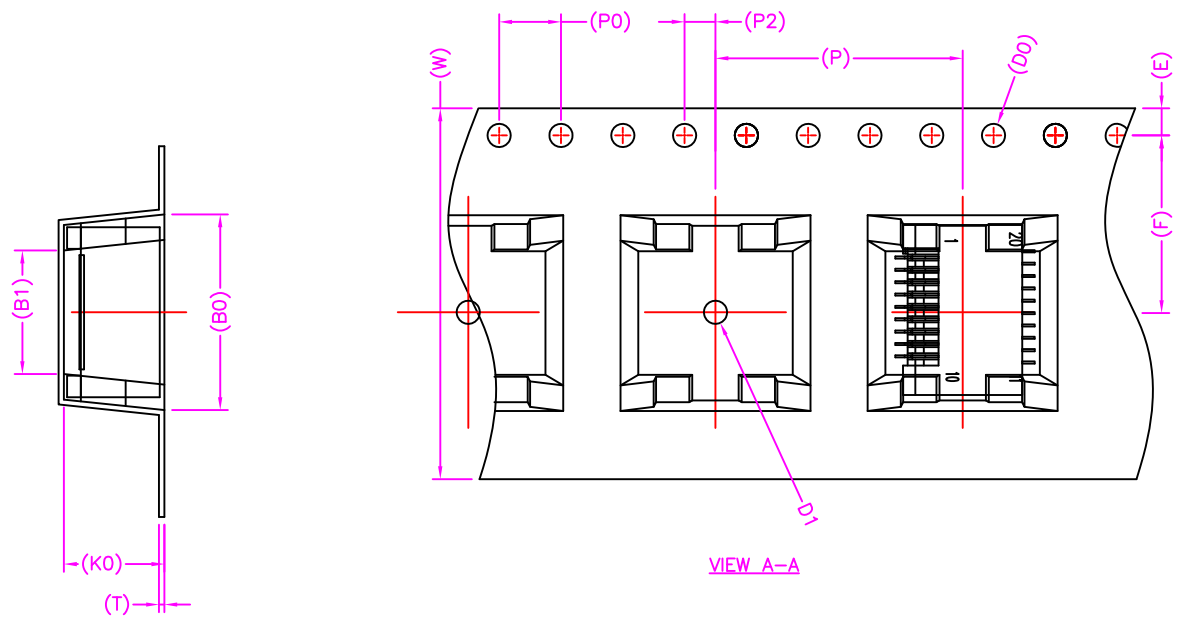
PACKAGE OPTION
2: TAPE REEL
3: TUBE

1: GOLD FLASH
3: 3u" GOLD
5: 5u" GOLD
7: 15u" GOLD
9: 30u" GOLD

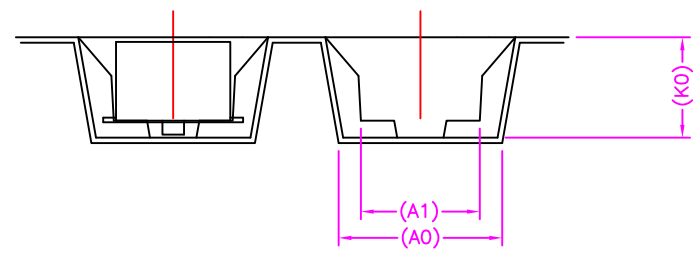
Cyberconn Technology Co., Ltd. <small>www.cyberconn.com.tw Tel:+886-3-4951314</small>						
TOLERANCES		TITLE				
X.X ±0.3		XFP CONNECTOR SERIES				
X.XX ±0.2		XFP CONN., PCB MOUNT, SMT, WITH POST				
X.XXX ±0.1		DRAWN BY		CHECKED BY		APPROVED BY
Angle ±5°		<i>Janice</i>		<i>Lion</i>		<i>Benson</i>
		UNIT	SCALE	SIZE	DRAW NO.	REV.
10055		MM	NONE	A4	OXCBB-001	A
						Sheet
						1/1

A	RELEASE	2011.11.11
REV.	DESCRIPTION	DATE

IN THE DIRECTION OF PULLING →



VIEW A-A



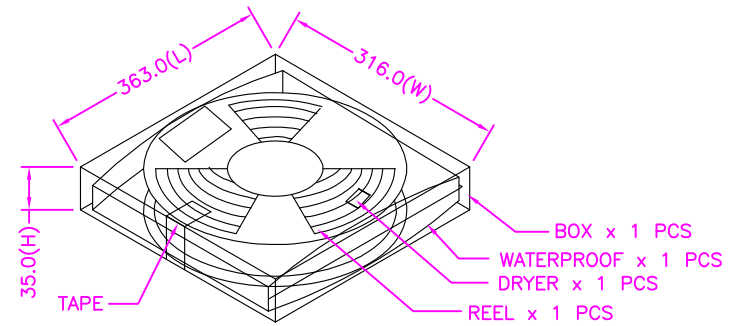
DIMENSION	
30 PIN	
W	24.00±0.30
E	1.75±0.10
F	11.50±0.10
P	16.00±0.10
T	0.35±0.05
P0	4.00±0.10
P2	2.00±0.10
D0	∅1.50±0.10
D1	∅1.50±0.10
A0	10.60±0.10
A1	8.00±0.10
B0	16.00±0.10
B1	12.00±0.10
K0	6.50±0.10

Cyberconn Technology Co., Ltd.
 www.cyberconn.com.tw Tel:+886-3-4951314

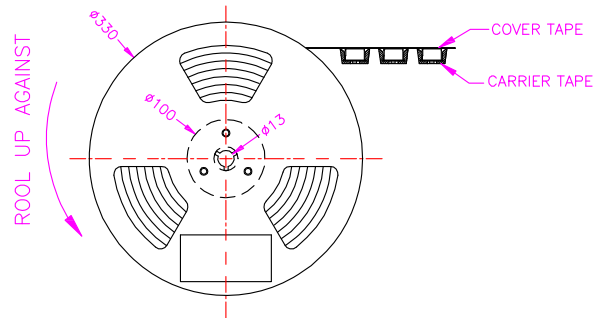
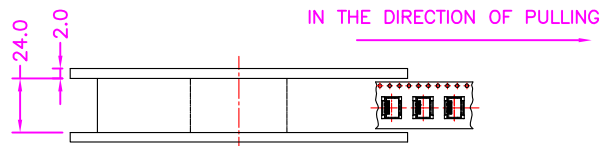
TOLERANCES	TITLE	XFP CONNECTOR SERIES				
X.X ±0.3 X.XX ±0.2 X.XXX ±0.1 Angle ±5°		XFP CONN., PACKAGE				
	DRAWN BY	CHECKED BY	APPROVED BY			
	<i>Janice</i>	<i>Lion</i>	<i>Benson</i>			
UNIT	SCALE	SIZE	DRAW NO.	REV.	Sheet	
10055	MM	NONE	A4	0XCBB-001-1	A 2/3	

A	RELEASE	2011.11.11
REV.	DESCRIPTION	DATE

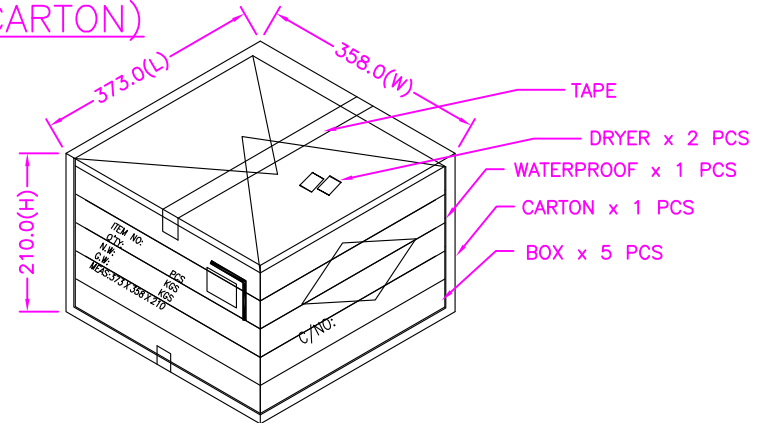
INNER (BOX)



REEL




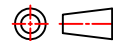
OUTER (CARTON)



NOTE

REEL: PS
 CARRIER: PS
 COVERTAPE: PS

1REEL: 500 PCS
 1CARTON: 2500 PCS

 Cyberconn Technology Co., Ltd. www.cyberconn.com.tw Tel:+886-3-4951314						
TOLERANCES		TITLE XFP CONNECTOR SERIES				
X.X ±0.3		XFP CONN., PACKAGE				
X.XX ±0.2		DRAWN BY		CHECKED BY		APPROVED BY
X.XXX ±0.1		Janice		Lion		Benson
Angle ±5°		UNIT		SCALE	SIZE	DRAW NO.
		10055	MM	NONE	A4	0XCBB-001-2
REV.	DESCRIPTION	DATE	REV.	Sheet		
			A	3/3		

A	RELEASE	2011.11.11
REV.	DESCRIPTION	DATE