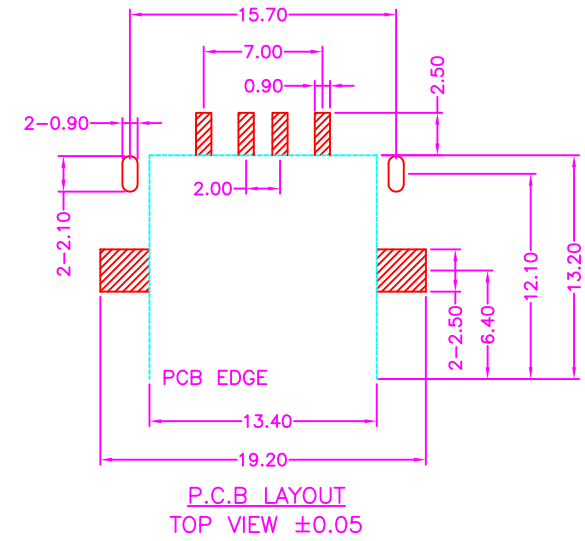


**MATERIALS**

HOUSING: HI-TEMP. PLASTIC (UL 94V-0)  
 SHELL: IRON, NICKEL PLATING  
 TERMINAL: COPPER ALLOY, GOLD PLATED ON CONTACT AREA  
 TIN PLATING ON SOLDER TAIL

**SPECIFICATION**

CURRENT RATING: 1 AMP MAX  
 DIELECTRIC WITHSTANDING: 500V AC FOR ONE MINUTE  
 CONTACT RESISTANCE: 30m OHMS MAX  
 INSULATION RESISTANCE: 1000M OHMS MIN AT DC 500V  
 OPERATION TEMPERATURE: -25°C~+85°C



**PART NUMBER:**  
 2USAD - 0 4 \* T - 1 2 2 \*

SERIES — NO. OF POS. — CONTACT PLATED OPTION — TAPE REEL PACKAGE — TIN PLATING ON SOLDER TAIL — HOUSING COLOR OPTION  
 BLANK: BLACK  
 W: WHITE

CONTACT PLATED OPTION:  
 1: GOLD FLASH  
 3: 3u" GOLD  
 5: 5u" GOLD  
 6: 10u" GOLD  
 7: 15u" GOLD  
 9: 30u" GOLD

A	RELEASE	2012.9.12
REV.	DESCRIPTION	DATE

**Cyberconn Technology Co., Ltd.**  
 www.cyberconn.com.tw Tel:+886-3-4951314

TOLERANCES	TITLE	USB CONNECTOR SERIES				
X.X ±0.3 X.XX ±0.2 X.XXX ±0.1 Angle ±5°		USB A TYPE, PCB MID MOUNT, SMT METAL SHIELD, FEMALE, STANDOFF=4.10mm				
	DRAWN BY	CHECKED BY	APPROVED BY			
	Placy	Lion	Benson			
UNIT	SCALE	SIZE	DRAW NO.	REV.	Sheet	
10006&10057	MM	NONE	A4	2USAD-002	A 1/1	