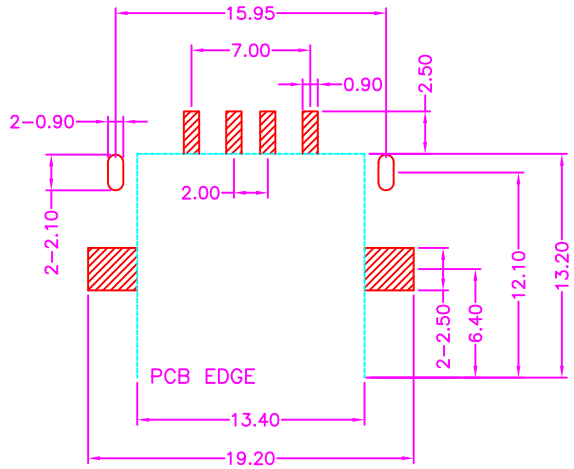


MATERIALS

HOUSING: HI-TEMP. PLASTIC (UL 94V-0)
 SHELL: IRON, NICKEL PLATING
 TERMINAL: COPPER ALLOY, GOLD PLATED ON CONTACT AREA
 TIN PLATING ON SOLDER TAIL

SPECIFICATION

CURRENT RATING: 1 AMP MAX
 DIELECTRIC WITHSTANDING: 500V AC FOR ONE MINUTE
 CONTACT RESISTANCE: 30m OHMS MAX
 INSULATION RESISTANCE: 1000M OHMS MIN AT DC 500V
 OPERATION TEMPERATURE: -25°C~+85°C



P.C.B LAYOUT TOP VIEW ±0.05

PART NUMBER:

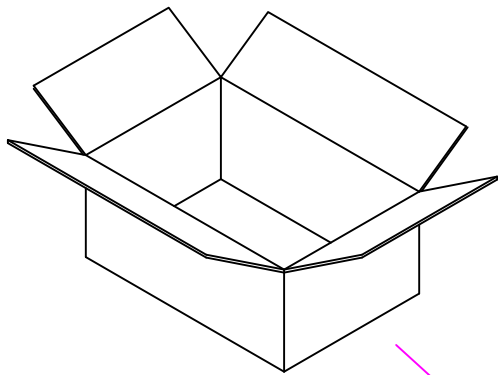
2USAD - 0 4 * T - 1 * 4 *

- SERIES
- NO. OF POS.
- CONTACT PLATED OPTION
- 1: GOLD FLASH
- 3: 3u" GOLD
- 5: 5u" GOLD
- 6: 10u" GOLD
- 7: 15u" GOLD
- 9: 30u" GOLD
- TIN PLATING ON SOLDER TAIL
- PACKAGE OPTION
- 1: TRAY
- 2: TAPE REEL
- HOUSING COLOR OPTION
- BLANK: BLACK
- W: WHITE

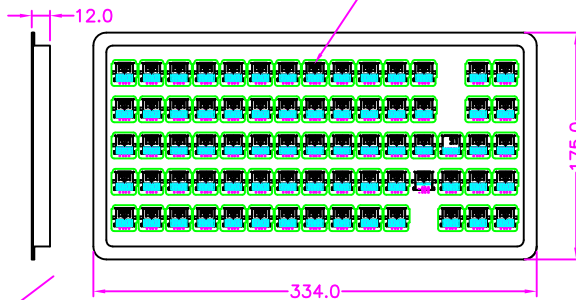
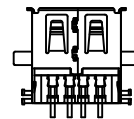
A	RELEASE	2012.10.19
REV.	DESCRIPTION	DATE

Cyberconn Technology Co., Ltd.
 www.cyberconn.com.tw Tel:+886-3-4951314

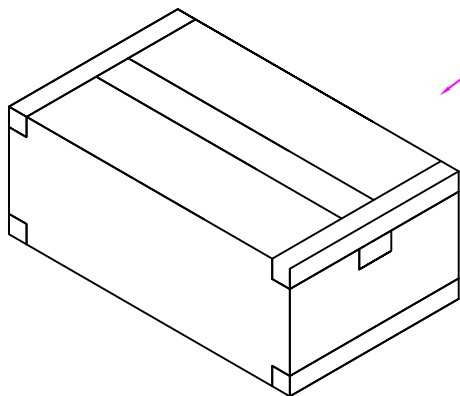
TOLERANCES	USB CONNECTOR SERIES				
X.X ±0.3	TITLE				
X.XX ±0.2	USB A TYPE, PCB MID MOUNT, SMT				
X.XXX ±0.1	METAL SHIELD, FEMALE, STANDOFF=0.82mm				
Angle ±5°	DRAWN BY	CHECKED BY	APPROVED BY		
	Janice	Lion	Benson		
10006&10057	UNIT	SCALE	SIZE	DRAW NO.	REV. Sheet
	MM	NONE	A4	2USAD-004	A 1/2



SHIPPING CARTON


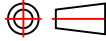


TRAY



SHIPPING CARTON

NOTE:
 QUANTITY:
 75pcs/TRAY
 750pcs/10 TRAY/SHIPPING CARTON

 Cyberconn Technology Co., Ltd. <small>www.cyberconn.com.tw Tel:+886-3-4951314</small>						
TOLERANCES		TITLE USB CONNECTOR SERIES USB A TYPE, PCB MID MOUNT, SMT METAL SHIELD, FEMALE				
X.X ±0.3 X.XX ±0.2 X.XXX ±0.1 Angle ±5°		DRAWN BY		CHECKED BY		APPROVED BY
		<i>Janice</i>		<i>Lion</i>		<i>Benson</i>
		UNIT	SCALE	SIZE	DRAW NO.	REV. Sheet
10006&10057		MM	NONE	A4	2USAD-004	A 2/2

A	RELEASE	2012.10.19
REV.	DESCRIPTION	DATE