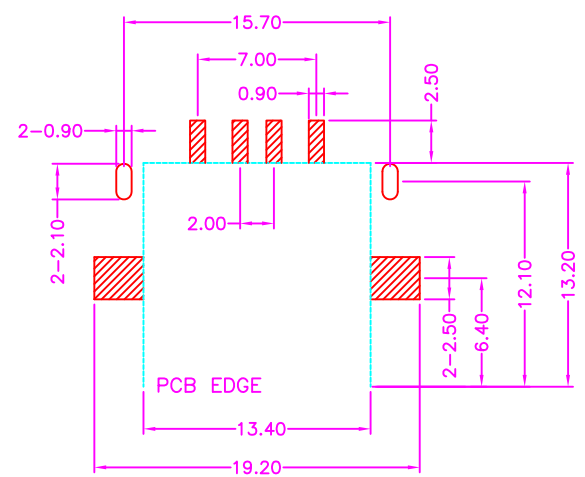


MATERIALS

HOUSING: HI-TEMP. PLASTIC (UL 94V-0)  
 SHELL: IRON, NICKEL PLATING  
 TERMINAL: COPPER ALLOY, GOLD PLATED ON CONTACT AREA  
 TIN PLATING ON SOLDER TAIL

SPECIFICATION

CURRENT RATING: 1 AMP MAX  
 DIELECTRIC WITHSTANDING: 500V AC FOR ONE MINUTE  
 CONTACT RESISTANCE: 30m OHMS MAX  
 INSULATION RESISTANCE: 1000M OHMS MIN AT DC 500V  
 OPERATION TEMPERATURE: -25°C~+85°C



P.C.B. LAYOUT TOP VIEW ±0.05

PART NUMBER:

2USAD - 0 4 \* T - 1 2 1 \*

- SERIES
- NO. OF POS.
- CONTACT PLATED OPTION
  - 1: GOLD FLASH
  - 3: 3u" GOLD
  - 5: 5u" GOLD
  - 6: 10u" GOLD
  - 7: 15u" GOLD
  - 9: 30u" GOLD
- TIN PLATING ON SOLDER TAIL
- TAPE REEL PACKAGE
- HOUSING COLOR OPTION
  - BLANK: BLACK
  - W: WHITE

**Cyberconn Technology Co., Ltd.**  
 www.cyberconn.com.tw Tel:+886-3-4951314

TOLERANCES	USB CONNECTOR SERIES				
X.X ±0.3	TITLE USB A TYPE, PCB MID MOUNT, SMT				
X.XX ±0.2	METAL SHIELD, FEMALE, STANDOFF=1.50mm				
X.XXX ±0.1	DRAWN BY	CHECKED BY	APPROVED BY		
Angle ±5°	Janice	Lion	Benson		
	UNIT	SCALE	SIZE	DRAW NO.	REV.
	10006&10057	MM	NONE	A4	2USAD-001
					Sheet
					1/1

A	RELEASE	2012.9.11
REV.	DESCRIPTION	DATE