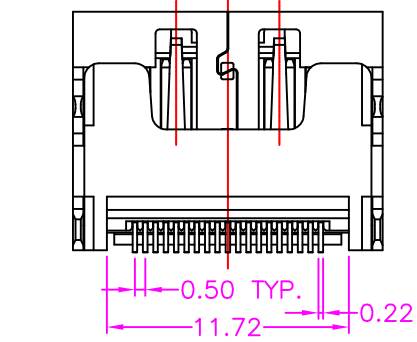
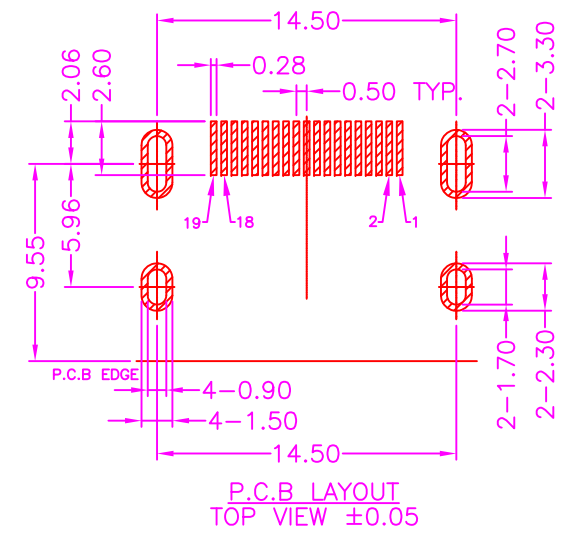
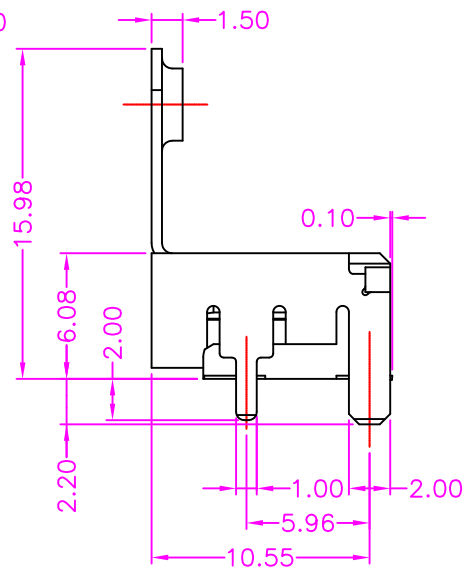
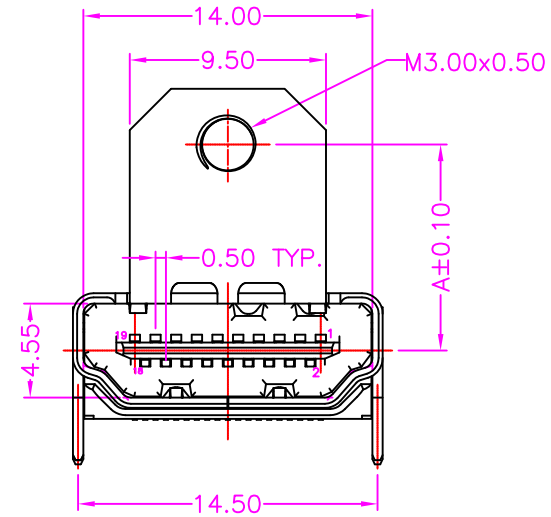


PART NUMBER:
2HDBC - 1 9 * T - 1 * 0 *

SERIES ——— "A" LENGTH OPTION
 NO. OF POS. ——— 1: 7.975mm
 ——— 2: 9.975mm

CONTACT PLATED OPTION ——— PACKAGE OPTION
 1: GOLD FLASH ——— 1: TRAY
 3: 3u" GOLD ——— 2: TAPE REEL
 5: 5u" GOLD
 7: 15u" GOLD

TIN PLATING ON SOLDER TAIL



MATERIALS

HOUSING: HI-TEMP. PLASTIC (UL 94V-0)
 SHELL: COPPER ALLOY, NICKEL PLATING
 TERMINAL: COPPER ALLOY, GOLD PLATED ON CONTACT AREA
 TIN PLATING ON SOLDER TAIL

SPECIFICATION

CURRENT RATING: 0.5 AMP MAX
 DIELECTRIC WITHSTANDING: 500V AC FOR ONE MINUTE
 CONTACT RESISTANCE: 30m OHMS MAX
 INSULATION RESISTANCE: 100M OHMS MIN AT DC 500V
 OPERATION TEMPERATURE: -20°C~+85°C

A	RELEASE	2011.8.9
REV.	DESCRIPTION	DATE

Cyberconn Technology Co., Ltd.
 www.cyberconn.com.tw Tel:+886-3-4951314

TOLERANCES	HDMI CONNECTOR SERIES				
X.X ±0.3	TITLE HDMI, PCB MOUNT, SMT, METAL SHIELD, FEMALE, WITH EAR & SCREW				
X.XX ±0.2	DRAWN BY	CHECKED BY	APPROVED BY		
X.XXX ±0.1	<i>Janice</i>	<i>Lion</i>	<i>Benson</i>		
Angle ±5°	UNIT	SCALE	SIZE	DRAW NO.	REV.
	10050	MM	NONE	A4	2HDBC-001
					Sheet
					1/1