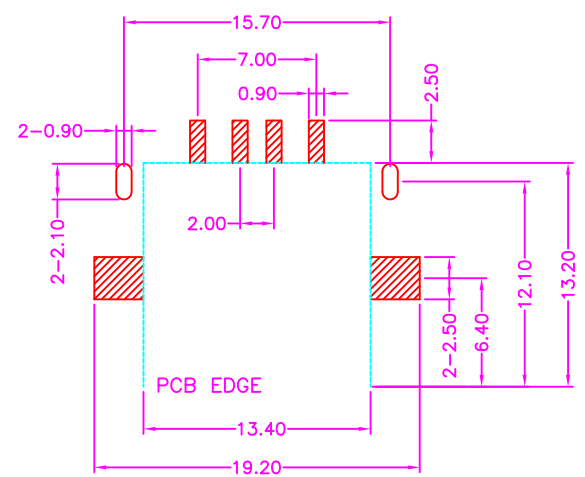


MATERIALS

HOUSING: HI-TEMP. PLASTIC (UL 94V-0)
 SHELL: IRON, NICKEL PLATING
 TERMINAL: COPPER ALLOY, GOLD PLATED ON CONTACT AREA
 TIN PLATING ON SOLDER TAIL

SPECIFICATION

CURRENT RATING: 1 AMP MAX
 DIELECTRIC WITHSTANDING: 500V AC FOR ONE MINUTE
 CONTACT RESISTANCE: 30m OHMS MAX
 INSULATION RESISTANCE: 1000M OHMS MIN AT DC 500V
 OPERATION TEMPERATURE: -25°C~+85°C



P.C.B LAYOUT TOP VIEW ±0.05

PART NUMBER:

2USAD - 0 4 * T - 1 2 1 *

SERIES
 NO. OF POS.
 CONTACT PLATED OPTION
 1: GOLD FLASH
 3: 3u" GOLD
 5: 5u" GOLD
 6: 10u" GOLD
 7: 15u" GOLD
 9: 30u" GOLD

TIN PLATING ON SOLDER TAIL

HOUSING COLOR OPTION
 BLANK: BLACK
 W: WHITE

TAPE REEL PACKAGE

Cyberconn Technology Co., Ltd.
 www.cyberconn.com.tw Tel:+886-3-4951314

TOLERANCES	TITLE	USB CONNECTOR SERIES				
X.X ±0.3		USB A TYPE, PCB MID MOUNT, SMT				
X.XX ±0.2		METAL SHIELD, FEMALE				
X.XXX ±0.1	DRAWN BY	CHECKED BY	APPROVED BY			
Angle ±5°	Janice	Lion	Benson			
	UNIT	SCALE	SIZE	DRAW NO.	REV.	Sheet
	10006&10057	MM	NONE	A4	2USAD-001 A	1/1

A	RELEASE	2012.9.11
REV.	DESCRIPTION	DATE