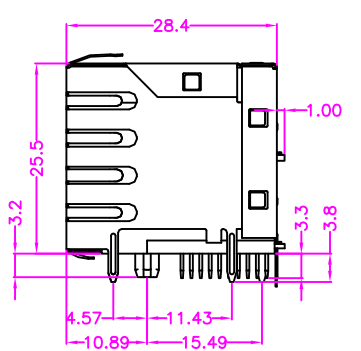
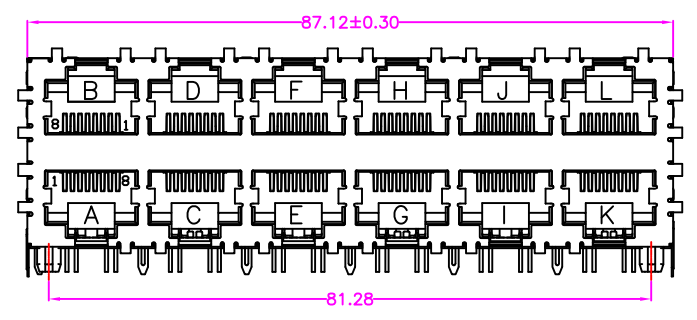


MATERIALS

HOUSING: HI-TEMP. PLASTIC (UL 94V-0)
 SHELL: STAINLESS STEEL
 TERMINAL: COPPER ALLOY, GOLD PLATED ON CONTACT AREA
 TIN PLATING ON SOLDER TAIL

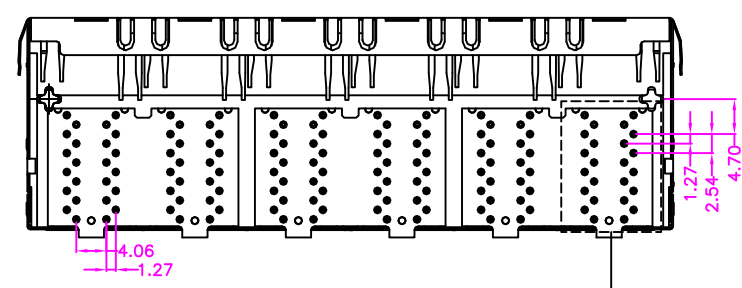
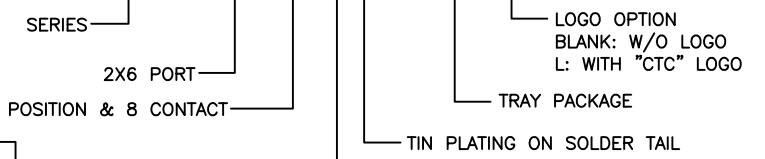
SPECIFICATION

CURRENT RATING: 1.5 AMP MAX
 DIELECTRIC WITHSTANDING: 500V AC FOR ONE MINUTE
 CONTACT RESISTANCE: 30m OHMS MAX
 INSULATION RESISTANCE: 1000M OHMS MIN AT DC 500V
 OPERATION TEMPERATURE: -0°C~+70°C

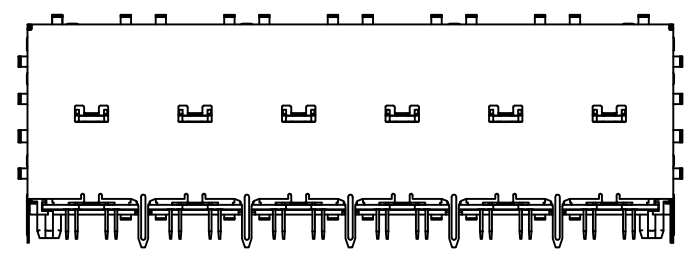
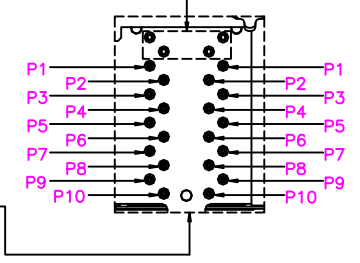


PART NUMBER:

3MJDQ - 2 6 8 8 * T - 1 1 0 *



THIS FOUR SOLDERING JOINTS ARE MAINLY FOR PCB FIXING PURPOSE, NOT FOR ELECTRICAL CONNECTION OR CUSTOMER PCB LAYOUT

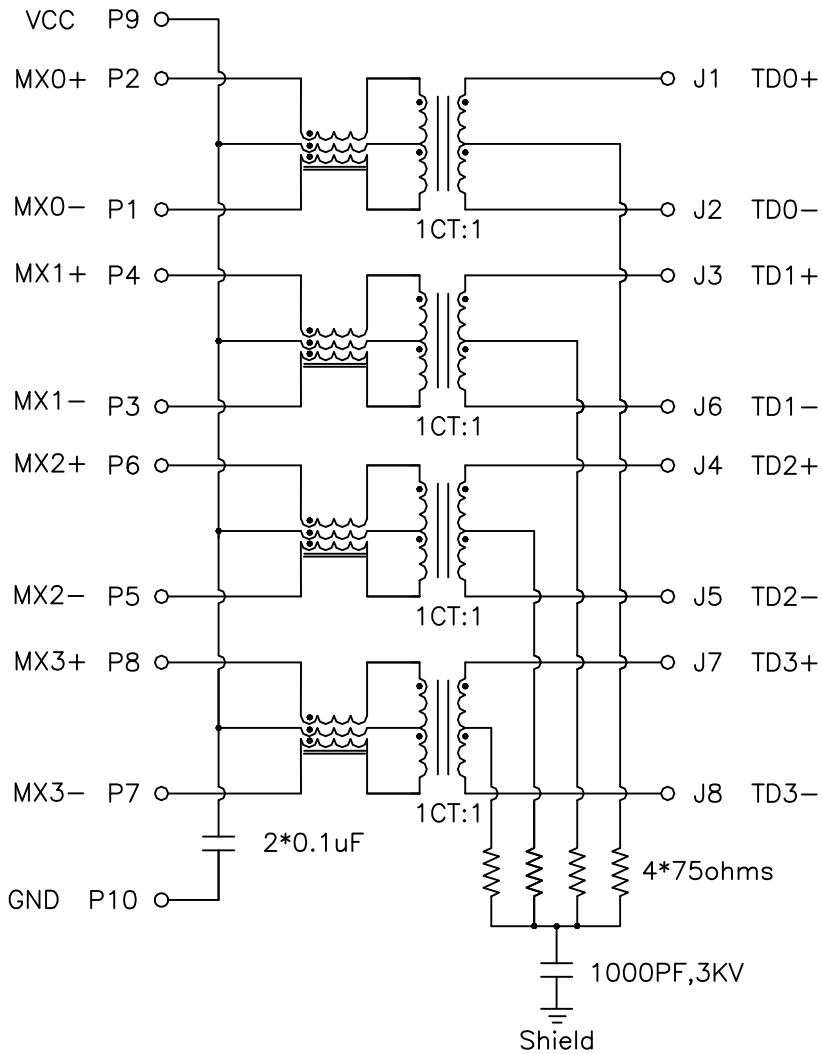


Cyberconn Technology Co., Ltd.
 www.cyberconn.com.tw Tel:+886-3-4951314

TOLERANCES	MODULAR JACK SERIES					
X.X ±0.3	TITLE 2x6 STACKED RJ45, PCB MOUNT, SIDE ENTRY METAL SHIELD, WITH SPRING & TRANSFORMER					
X.XX ±0.2	DRAWN BY		CHECKED BY		APPROVED BY	
X.XXX ±0.1	Janice		Lion		Benson	
Angle ±5°	UNIT	SCALE	SIZE	DRAW NO.	REV.	Sheet
	10025	MM	NONE	A4	3MJDQ-001	A 1/3

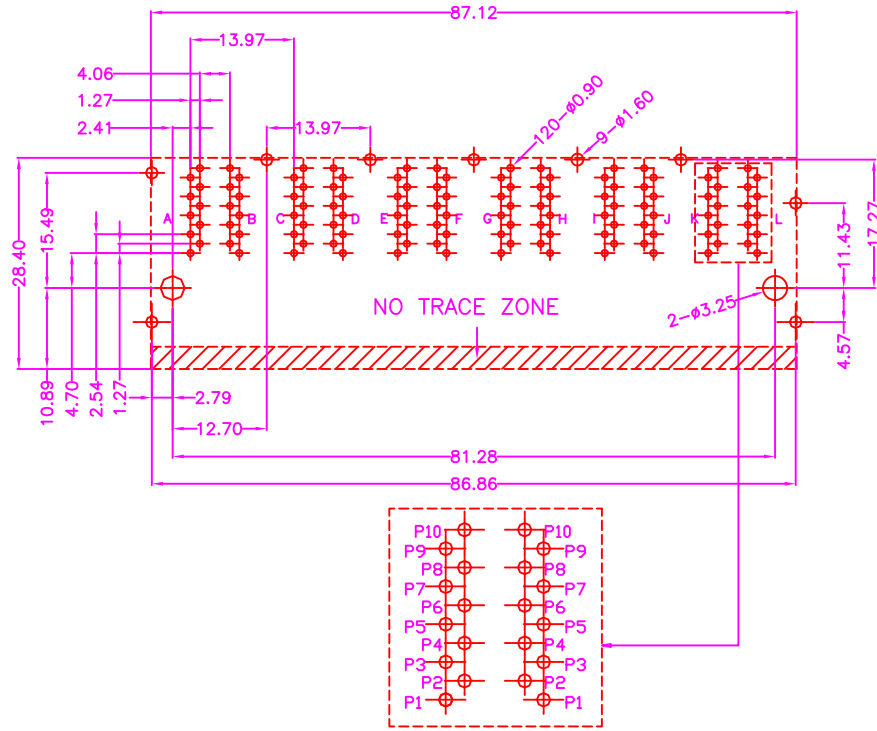
A	RELEASE	2012.6.18
REV.	DESCRIPTION	DATE

PCB SIDE TO PHY



CIRCUIT SCHEMATIC & LED ELECTRICAL

CABLE SIDE



P.C.B LAYOUT
 TOP VIEW ±0.05

A	RELEASE	2012.6.18
REV.	DESCRIPTION	DATE

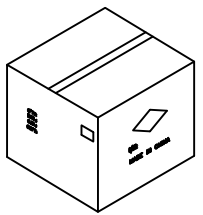
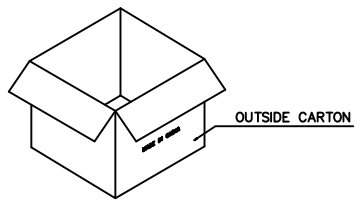
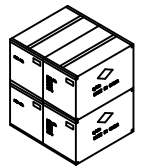
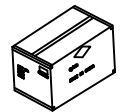
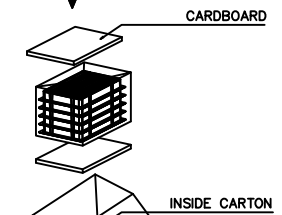
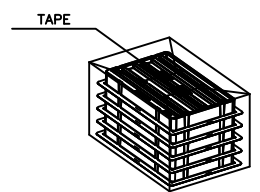
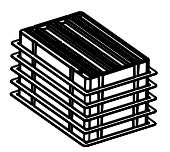
Cyberconn Technology Co., Ltd. www.cyberconn.com.tw Tel:+886-3-4951314						
TOLERANCES		MODULAR JACK SERIES				
X.X ±0.3 X.XX ±0.2 X.XXX±0.1 Angle ±5°		TITLE 2x6 STACKED RJ45, PCB MOUNT, SIDE ENTRY METAL SHIELD, WITH SPRING & TRANSFORMER				
		DRAWN BY		CHECKED BY		APPROVED BY
		Janice		Lion		Benson
		UNIT	SCALE	SIZE	DRAW NO.	REV. Sheet
		10025	MM	NONE	A4 3MJDQ-001-1	A 2/3

PACKAGE

- 1. TRAY = 9 PCS
- 2. INSIDE CARTON = 5 TRAY
- 3. OUTSIDE CARTON = 4 INSIDE CARTON
- 4. OUTSIDE CARTON = 180 PCS
- 5. NET WEIGHT 13.0 KG
- 6. GROSS WEIGHT 15.0 KG

ELECTRICAL HARACTERISTICS

- 1 Turn Ratio:
 - (P2-P1):(J1-J2) 1CT:1CT(±3%)
 - (P4-P3):(J3-J6) 1CT:1CT(±3%)
 - (P6-P5):(J4-J5) 1CT:1CT(±3%)
 - (P8-P7):(J7-J8) 1CT:1CT(±3%)
- 2 DCR:
 - (J1-J2),(J3-J6),(J4-J5),(J7-J8) 1.2ohms MAX
- 3 Primary Inductance(LX) :
 - (P2: P1) 350µH Min. @100kHz,0.1Vrms,8mADC BIAS
 - (P4: P3) 350µH Min. @100kHz,0.1Vrms,8mADC BIAS
 - (P6: P5) 350µH Min. @100kHz,0.1Vrms,8mADC BIAS
 - (P8: P7) 350µH Min. @100kHz,0.1Vrms,8mADC BIAS
- 4 Hi-POT TEST:
 - PCB SIDE TO CABLE SIDE 1500Vac 60s or 2250Vdc 60s
- 5 TRANSMITTER FILTER
 - Type: Balance Low Pass 100 Ohm Impedance Nom
 - Insertion Loss:
 - 1~100 MHz -1.0dB MAX.
 - Return Loss
 - 1~30 MHz -18dB MIN
 - 30~60 MHz -16dB MIN
 - 60~100 MHz -10dB MIN
- 6 CROSS TALK:
 - 1~100 MHz -30dB MIN
- 7 CM TO CM REJECTION:
 - 1~100 MHz -30dB MIN.



A	RELEASE	2012.6.18
REV.	DESCRIPTION	DATE

Cyberconn Technology Co., Ltd.
www.cyberconn.com.tw Tel:+886-3-4951314

TOLERANCES	MODULAR JACK SERIES					
X.X ±0.3	TITLE 2x6 STACKED RJ45, PCB MOUNT, SIDE ENTRY METAL SHIELD, WITH SPRING & TRANSFORMER					
X.XX ±0.2	DRAWN BY		CHECKED BY		APPROVED BY	
X.XXX ±0.1	Janice		Lion		Benson	
Angle ±5°	UNIT	SCALE	SIZE	DRAW NO.	REV.	Sheet
	10025	MM	NONE	A4	3MJDQ-001-2	A 3/3