

PART NUMBER:  
**4MSLF - 1 2 4 \* T - 1 1 4**

SERIES ——— 4  
 NO. OF POS. ——— 1 2 4  
 CONTACT PLATED OPTION ——— \*  
 T ——— T  
 ——— 1 1 4 TRAY PACKAGE  
 ——— TIN PLATING ON SOLDER TAIL

CONTACT PLATED OPTION  
 1: GOLD FLASH  
 2: 2u" GOLD  
 3: 3u" GOLD  
 5: 5u" GOLD  
 6: 10u" GOLD  
 7: 15u" GOLD  
 9: 30u" GOLD

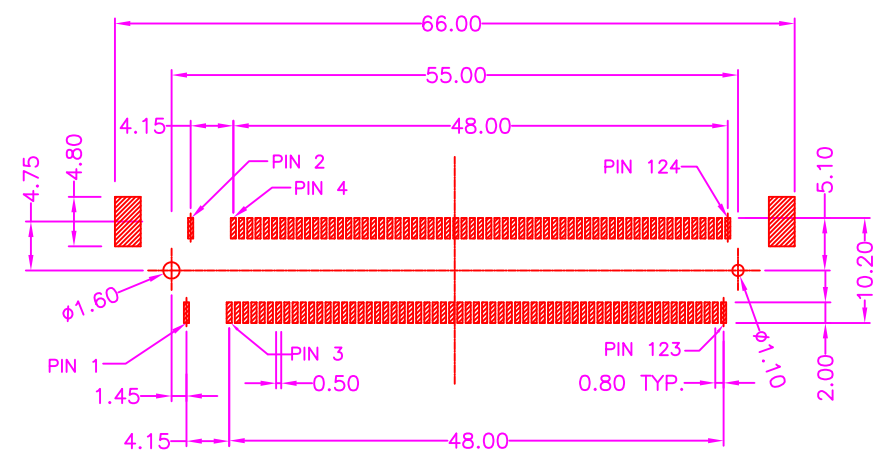
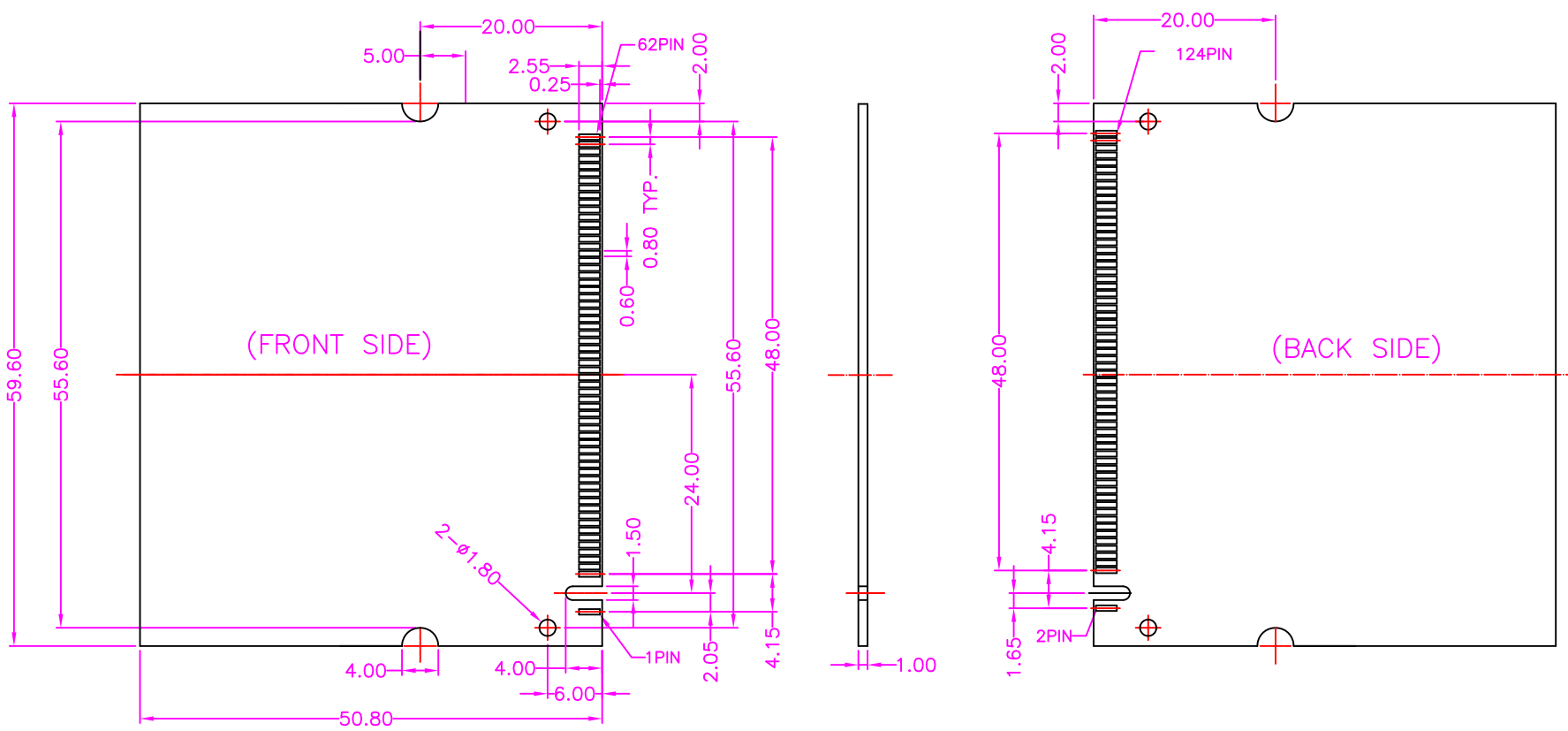
**MATERIALS**  
 HOUSING: HI-TEMP. PLASTIC (UL 94V-0)  
 LATCH: SUS, TIN PLATING  
 TERMINAL: COPPER ALLOY, GOLD PLATED ON CONTACT AREA  
 TIN PLATING ON SOLDER TAIL

**SPECIFICATION**  
 CURRENT RATING: 0.5 AMP MAX  
 DIELECTRIC WITHSTANDING: 250V AC FOR ONE MINUTE  
 CONTACT RESISTANCE: 30m OHMS MAX  
 INSULATION RESISTANCE: 500M OHMS MIN AT DC 500V  
 OPERATION TEMPERATURE: -55°C~+85°C

A	RELEASE	2012.5.17
REV.	DESCRIPTION	DATE

**Cyberconn Technology Co., Ltd.**  
 www.cyberconn.com.tw Tel:+886-3-4951314

TOLERANCES	MEMORY SOCKET SERIES					
X.X ±0.3	TITLE MINI PCI SOCKET 124 PIN, 0.80mm PITCH, PCB MOUNT, SMT, FEMALE, WITH LATCH & POST (H=8.00mm)					
X.XX ±0.2	DRAWN BY		CHECKED BY		APPROVED BY	
X.XXX ±0.1	<i>Janice</i>		<i>Lion</i>		<i>Benson</i>	
Angle ±5°	UNIT	SCALE	SIZE	DRAW NO.	REV.	Sheet
	10022	MM	NONE	A4	4MSLF-004 A	1/2



**Cyberconn Technology Co., Ltd.**  
www.cyberconn.com.tw Tel:+886-3-4951314

TOLERANCES	MEMORY SOCKET SERIES				
X.X ±0.3	TITLE MINI PCI SOCKET 124 PIN, 0.80mm PITCH, PCB MOUNT, SMT, FEMALE, WITH LATCH & POST (H=8.00mm)				
X.XX ±0.2	DRAWN BY	CHECKED BY	APPROVED BY		
X.XXX ±0.1	<i>Janice</i>	<i>Lion</i>	<i>Benson</i>		
Angle ±5°	UNIT	SCALE	SIZE	DRAW NO.	REV.
	MM	NONE	A4	4MSLF-004	A
					Sheet
					2/2

A	RELEASE	2012.5.17
REV.	DESCRIPTION	DATE