

PART NUMBER:  
 021BJ - O \* N - 1 1 \*

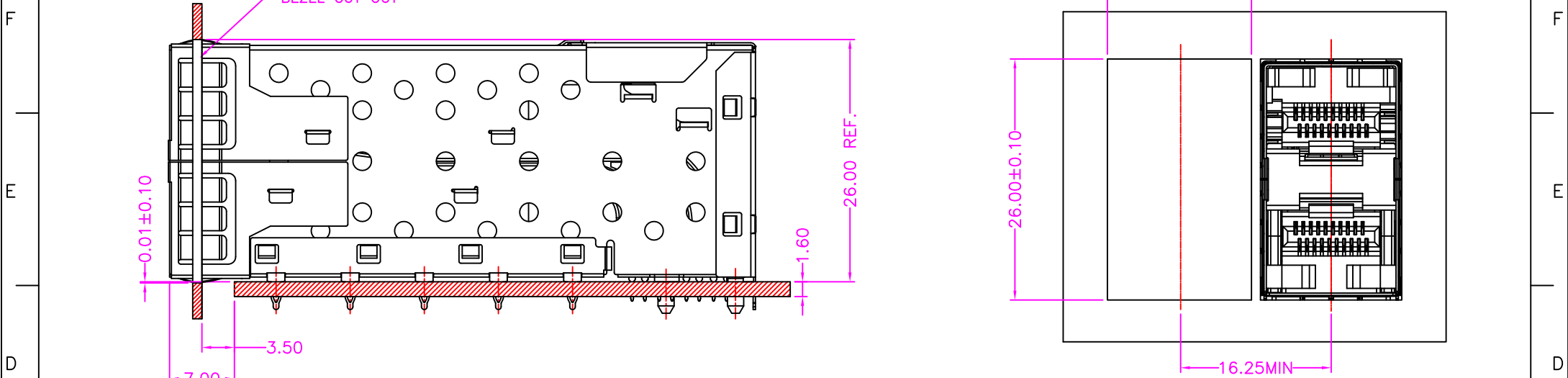
SERIES ——— LOGO OPTION  
 BLANK: W/O LOGO  
 L: WITH "CTC" LOGO

————— TRAY PACKAGE

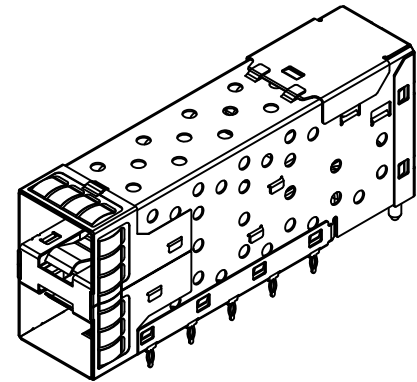
————— CONNECTOR TERMINAL CONTACT PLATING OPTION  
 1: GOLD FLASH  
 3: 3u" GOLD  
 7: 15u" GOLD

|   |  |  |       |            |           |             |       |
|---|--|--|-------|------------|-----------|-------------|-------|
| <br>www.cyberconn.com.tw<br>Tel: +886-3-4951314   |  | SFP SERIES   |       |            |           |             |       |
|   |  | TITLE: STACKED SFP+ 2x1 CAGE, R/A, METAL SHIELD<br>PRESS FIT TYPE, WITH CONNECTOR & METAL EMI GASKET |       |            |           |             |       |
| TOLERANCES  |  | DRAWN BY   |       | CHECKED BY |           | APPROVED BY |       |
| X.X ±0.2<br>X.XX ±0.1<br>X.XXX ±0.05<br>Angle ±5° |  | Janice   |       | Lion       |           | Benson      |       |
|   |  | UNIT   | SCALE | SIZE       | DRAW NO.  | REV.        | Sheet |
| 10001   |  | MM   | NONE  | A4         | 021BJ-001 | A           | 1/4   |

|      |             |          |
|------|-------------|----------|
| A    | RELEASE     | 2012.7.5 |
| REV. | DESCRIPTION | DATE     |



BEZEL CUT-OUT CENTER SPACING DETAIL  
BEZEL THICKNESS: 0.80-2.60mm



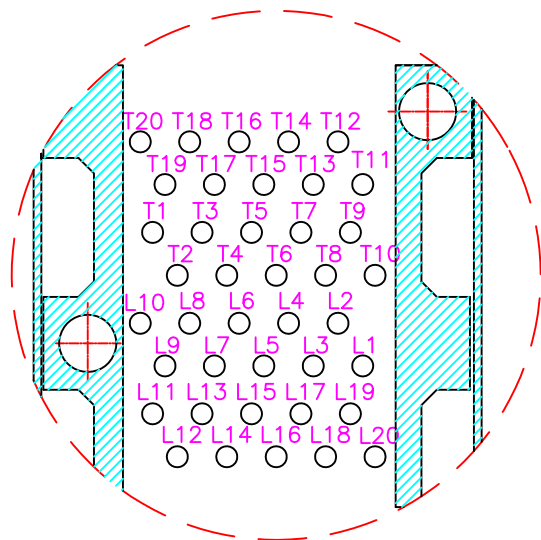
**MATERIALS**

- SFP CONNECTOR
- HOUSING: LCP (UL 94V-0), BLACK
- TERMINAL: COPPER ALLOY, GOLD PLATED ON CONTACT AREA  
TIN PLATING ON SOLDER TAIL
- SFP CAGE
- TOP SHIELD: COPPER ALLOY, NICKEL PLATING
- MIDDLE SHIELD: SUS, NICKEL PLATING
- BOTTOM SHIELD: COPPER ALLOY, NICKEL PLATING
- BACK SHIELD: COPPER ALLOY, NICKEL PLATING
- EMI GASKET: COPPER ALLOY, NICKEL PLATING

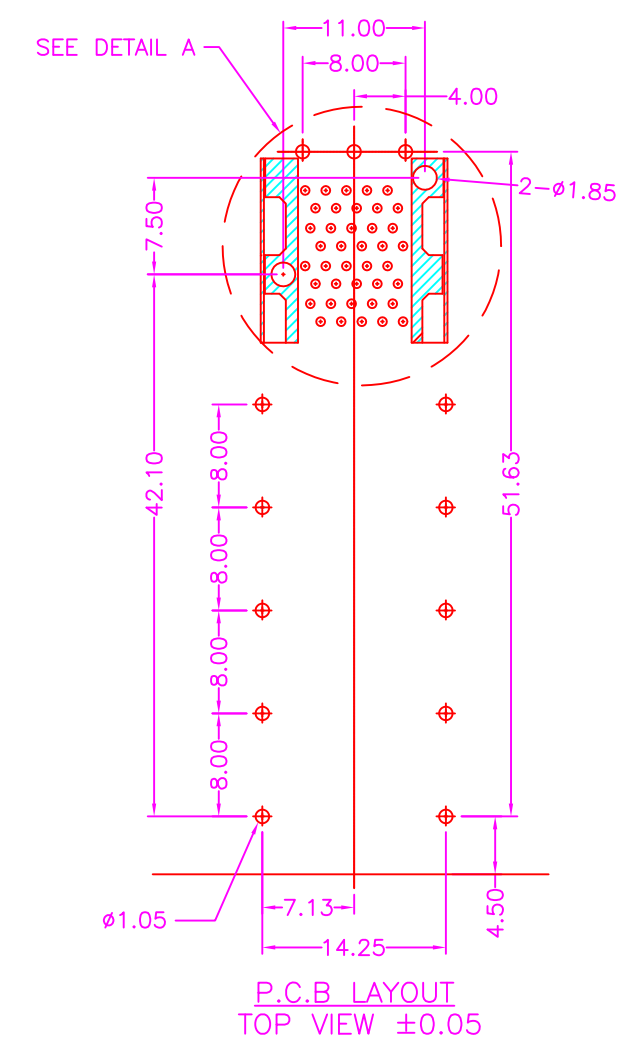
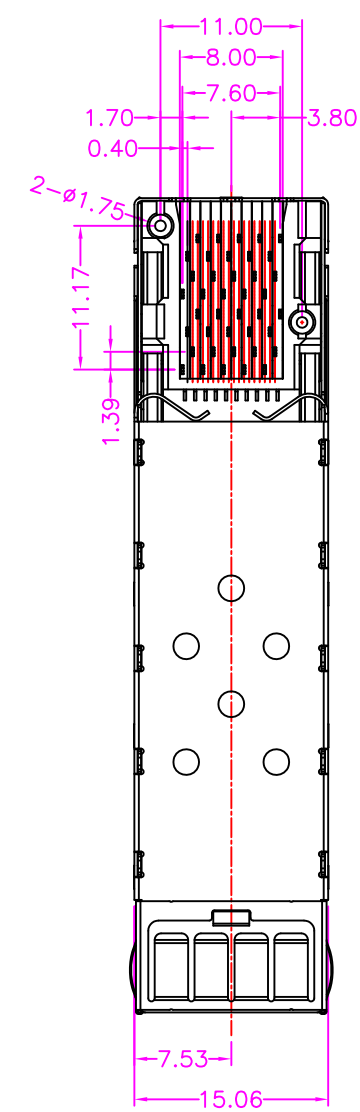
|      |             |          |
|------|-------------|----------|
| A    | RELEASE     | 2012.7.5 |
| REV. | DESCRIPTION | DATE     |

**Cyberconn Technology Co., Ltd.**  
www.cyberconn.com.tw Tel:+886-3-4951314

|   |               |   |               |             |      |       |
|---|---------------|---|---------------|-------------|------|-------|
| TOLERANCES<br>X.X ±0.3<br>X.XX ±0.2<br>X.XXX±0.1<br>Angle ±5° | TITLE         | SFP SERIES<br>STACKED SFP+ 2x1 CAGE, R/A, METAL SHIELD<br>PRESS FIT TYPE, WITH CONNECTOR & METAL EMI GASKET |               |             |      |       |
|   | DRAWN BY      | CHECKED BY  | APPROVED BY   |             |      |       |
|   | <i>Janice</i> | <i>Lion</i>   | <i>Benson</i> |             |      |       |
|   | UNIT          | SCALE   | SIZE          | DRAW NO.    | REV. | Sheet |
| 10001   | MM            | NONE  | A4            | 021BJ-001-1 | A    | 2/4   |



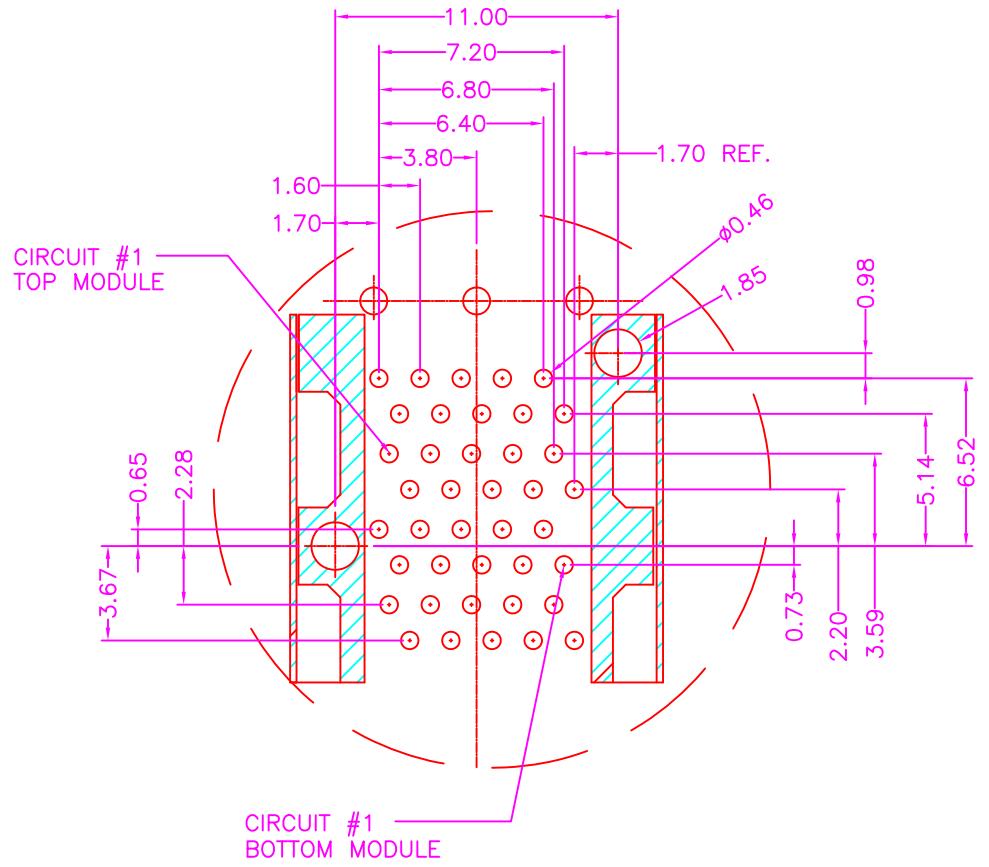
CONNECTOR PIN-OUT  
COMPONENT SIDE OF BOARD



**Cyberconn Technology Co., Ltd.**  
www.cyberconn.com.tw Tel:+886-3-4951314

|            |               |               |   |               |                |            |
|------------|---------------|---------------|---|---------------|----------------|------------|
| TOLERANCES |               | SFP SERIES    |   |               |                |            |
| X.X        | $\pm 0.3$     | TITLE         | STACKED SFP+ 2x1 CAGE, R/A, METAL SHIELD<br>PRESS FIT TYPE, WITH CONNECTOR & METAL EMI GASKET |               |                |            |
| X.XX       | $\pm 0.2$     | DRAWN BY      | CHECKED BY  | APPROVED BY   |                |            |
| X.XXX      | $\pm 0.1$     | <i>Janice</i> | <i>Lion</i>   | <i>Benson</i> |                |            |
| Angle      | $\pm 5^\circ$ | UNIT          | SCALE   | SIZE          | DRAW NO.       | REV. Sheet |
|            |               | 10001         | MM  | NONE          | A4 021BJ-001-2 | A 3/4      |

|      |             |          |
|------|-------------|----------|
| A    | RELEASE     | 2012.7.5 |
| REV. | DESCRIPTION | DATE     |



P.C.B. LAYOUT  
TOP VIEW ±0.05  
  
DEATIL A  
SCALE 2:1

|      |             |          |
|------|-------------|----------|
| A    | RELEASE     | 2012.7.5 |
| REV. | DESCRIPTION | DATE     |

|   |  |   |       |             |             |               |       |
|---|--|---|-------|-------------|-------------|---------------|-------|
| <b>Cyberconn Technology Co., Ltd.</b><br><small>www.cyberconn.com.tw Tel:+886-3-4951314</small> |  |   |       |             |             |               |       |
| TOLERANCES  |  | SFP SERIES  |       |             |             |               |       |
| X.X ±0.3  |  | TITLE STACKED SFP+ 2x1 CAGE, R/A, METAL SHIELD<br>PRESS FIT TYPE, WITH CONNECTOR & METAL EMI GASKET |       |             |             |               |       |
| X.XX ±0.2   |  |   |       |             |             |               |       |
| X.XXX ±0.1  |  | DRAWN BY  |       | CHECKED BY  |             | APPROVED BY   |       |
| Angle ±5°   |  | <i>Janice</i>   |       | <i>Lion</i> |             | <i>Benson</i> |       |
|   |  | UNIT  | SCALE | SIZE        | DRAW NO.    | REV.          | Sheet |
| 10001   |  | MM  | NONE  | A4          | 021BJ-001-3 | A             | 4/4   |