

PART NUMBER:
 021BJ - O * N - 1 2 *

SERIES — O — N — 1 2 *

LOGO OPTION
 BLANK: W/O LOGO
 L: WITH "CTC" LOGO

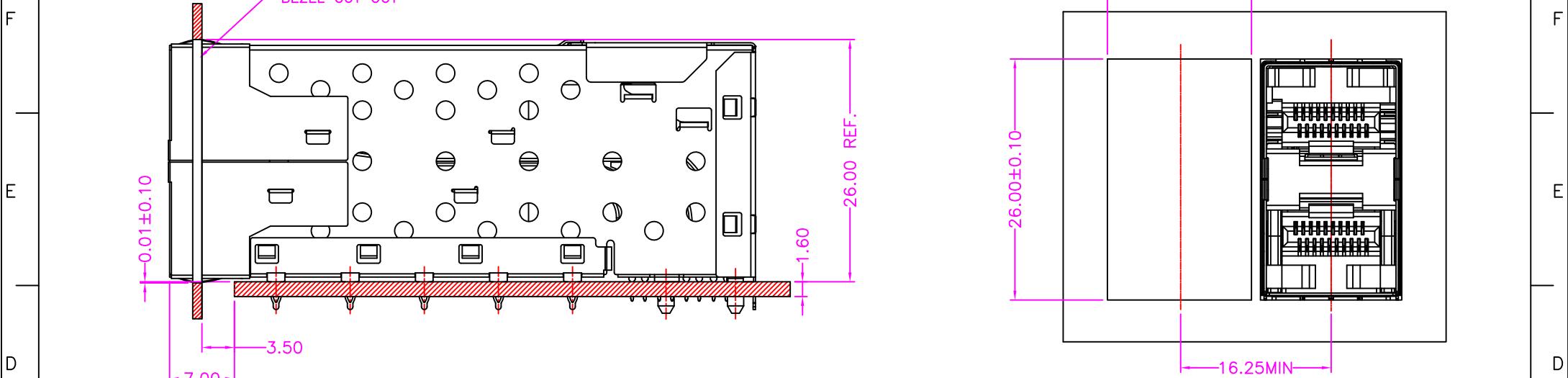
TRAY PACKAGE

CONNECTOR TERMINAL CONTACT PLATING OPTION
 1: GOLD FLASH
 3: 3u" GOLD
 7: 15u" GOLD

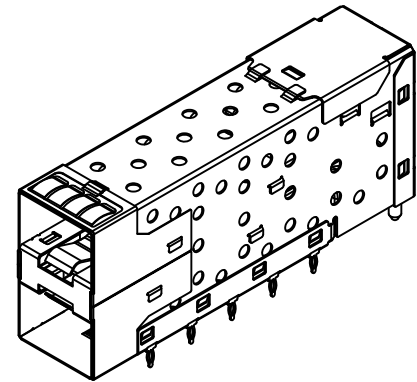
Cyberconn Technology Co., Ltd.
 www.cyberconn.com.tw Tel:+886-3-4951314

TOLERANCES	TITLE	SFP SERIES				
X.X ±0.2	STACKED SFP+ 2x1 CAGE, R/A, METAL SHIELD PRESS FIT TYPE, WITH CONNECTOR & METAL EMI GASKET	DRAWN BY		CHECKED BY	APPROVED BY	
X.XX ±0.1		<i>Janice</i>		<i>Lion</i>	<i>Benson</i>	
X.XXX ±0.05		UNIT	SCALE	SIZE	DRAW NO.	REV.
Angle ±5°	10001	MM	NONE	A4	021BJ-002	A
					Sheet	1/4

A	RELEASE	2012.9.5
REV.	DESCRIPTION	DATE



BEZEL CUT-OUT CENTER SPACING DETAIL
BEZEL THICKNESS: 0.80-2.60mm



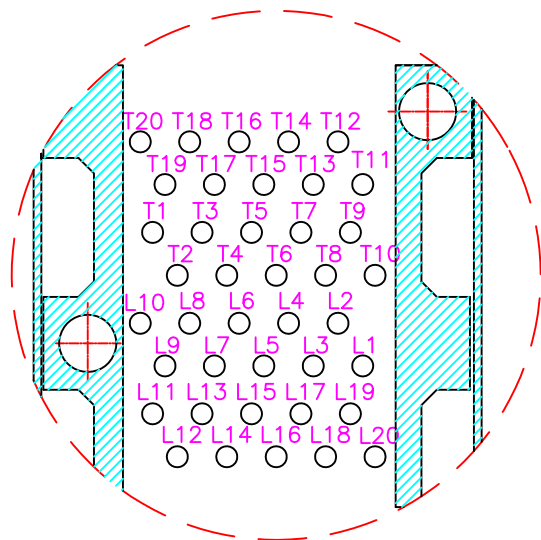
MATERIALS

- SFP CONNECTOR
- HOUSING: LCP (UL 94V-0), BLACK
- TERMINAL: COPPER ALLOY, GOLD PLATED ON CONTACT AREA
TIN PLATING ON SOLDER TAIL
- SFP CAGE
- TOP SHIELD: COPPER ALLOY, NICKEL PLATING
- MIDDLE SHIELD: SUS, NICKEL PLATING
- BOTTOM SHIELD: COPPER ALLOY, NICKEL PLATING
- BACK SHIELD: COPPER ALLOY, NICKEL PLATING
- EMI GASKET: COPPER ALLOY, NICKEL PLATING

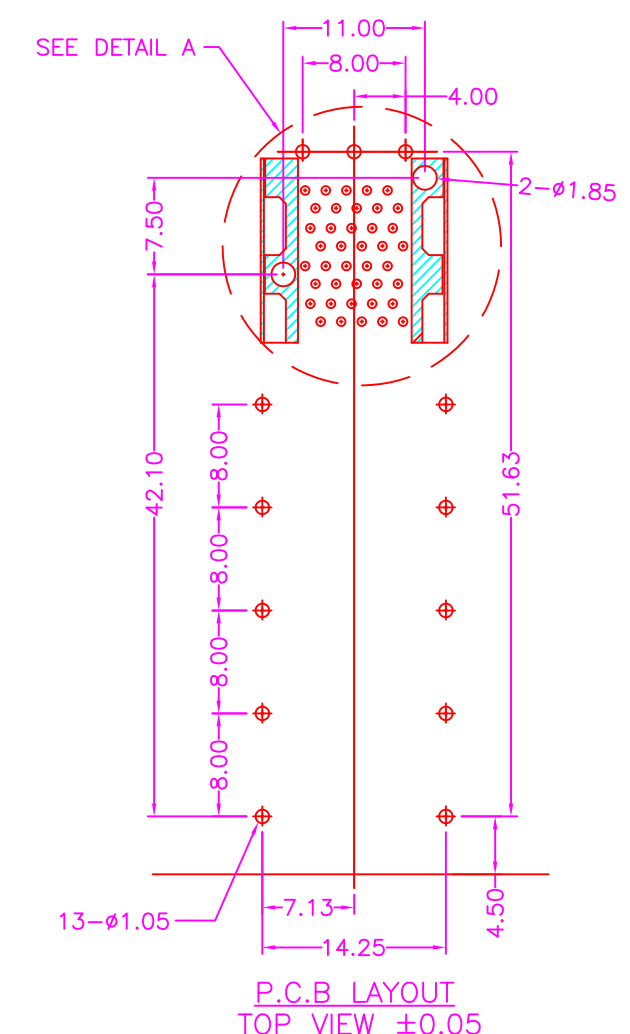
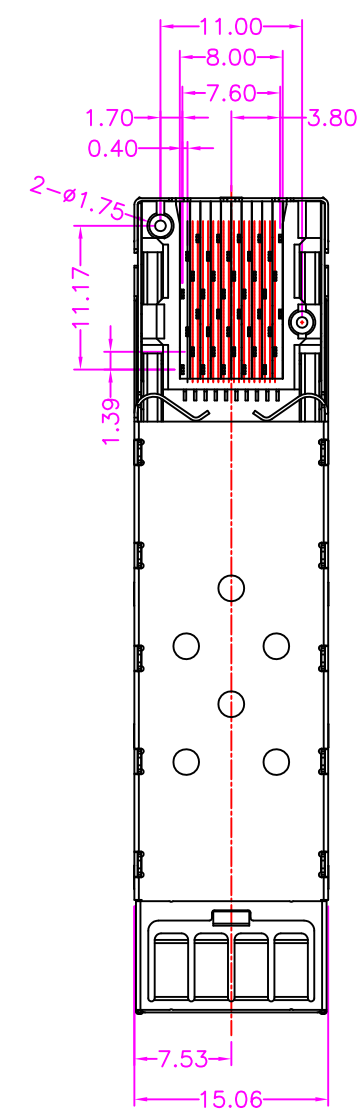
A	RELEASE	2012.9.5
REV.	DESCRIPTION	DATE

Cyberconn Technology Co., Ltd.
www.cyberconn.com.tw Tel:+886-3-4951314

TOLERANCES	SFP SERIES					
X.X ±0.3	TITLE STACKED SFP+ 2x1 CAGE, R/A, METAL SHIELD PRESS FIT TYPE, WITH CONNECTOR & METAL EMI GASKET					
X.XX ±0.2	DRAWN BY		CHECKED BY		APPROVED BY	
X.XXX ±0.1	<i>Janice</i>		<i>Lion</i>		<i>Benson</i>	
Angle ±5°	UNIT	SCALE	SIZE	DRAW NO.	REV.	Sheet
	10001	MM	NONE	A4	021BJ-002	A 2/4



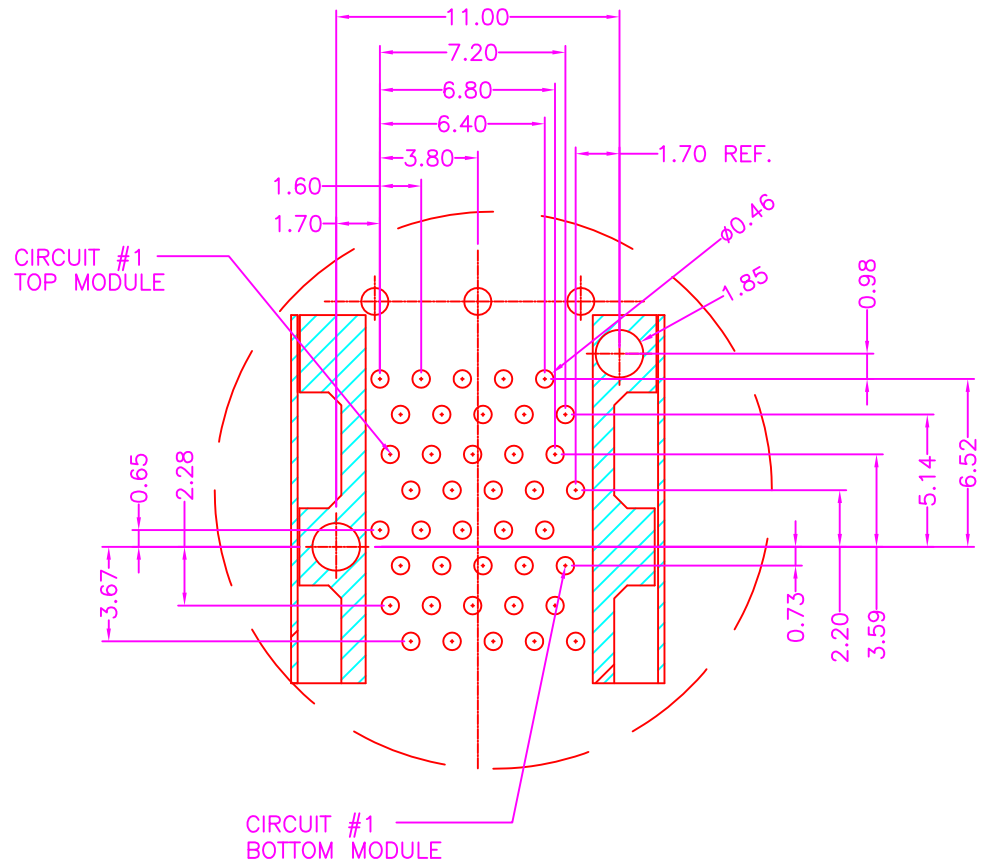
CONNECTOR PIN-OUT COMPONENT SIDE OF BOARD




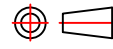
Cyberconn Technology Co., Ltd.
www.cyberconn.com.tw Tel:+886-3-4951314

TOLERANCES		SFP SERIES			
X.X	± 0.3	TITLE STACKED SFP+ 2x1 CAGE, R/A, METAL SHIELD PRESS FIT TYPE, WITH CONNECTOR & METAL EMI GASKET			
X.XX	± 0.2	DRAWN BY		CHECKED BY	APPROVED BY
X.XXX	± 0.1	Janice		Lion	Benson
Angle	$\pm 5^\circ$	UNIT	SCALE	SIZE	DRAW NO.
		10001	MM	NONE	A4
				021BJ-002	REV. A
					Sheet 3/4

A	RELEASE	2012.9.5
REV.	DESCRIPTION	DATE



P.C.B. LAYOUT
TOP VIEW ±0.05
DEATIL A
SCALE 2:1

 Cyberconn Technology Co., Ltd. <small>www.cyberconn.com.tw Tel:+886-3-4951314</small>						
TOLERANCES		TITLE				
X.X ±0.3		SFP SERIES				
X.XX ±0.2		STACKED SFP+ 2x1 CAGE, R/A, METAL SHIELD				
X.XXX ±0.1		PRESS FIT TYPE, WITH CONNECTOR & METAL EMI GASKET				
Angle ±5°		DRAWN BY	CHECKED BY	APPROVED BY		
		<i>Janice</i>	<i>Lion</i>	<i>Benson</i>		
		UNIT	SCALE	SIZE	DRAW NO.	REV.
		10001	MM	NONE	A4	021BJ-002
					A	4/4

A	RELEASE	2012.9.5
REV.	DESCRIPTION	DATE