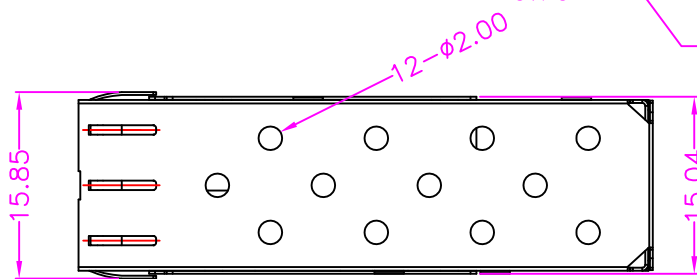


MATERIALS
METAL SHIELD: COPPER ALLOY, NICKEL PLATING

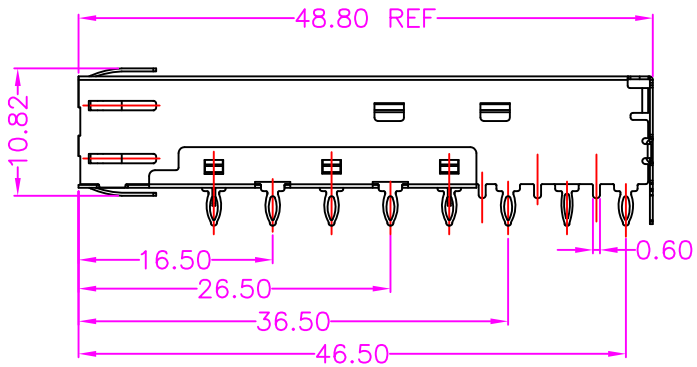
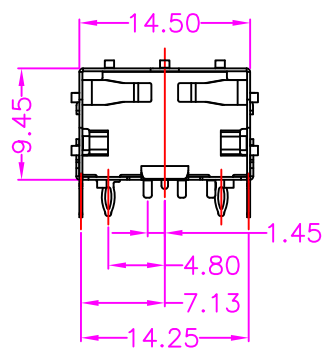


TABS USED TO MOUNT LIGHT PIPE

PART NUMBER:
011AD - 0 N - 1 0

SERIES

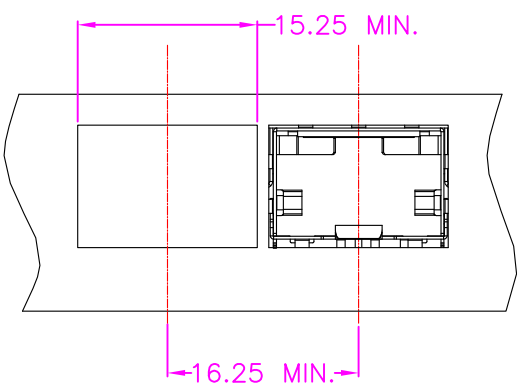
TRAY PACKAGE



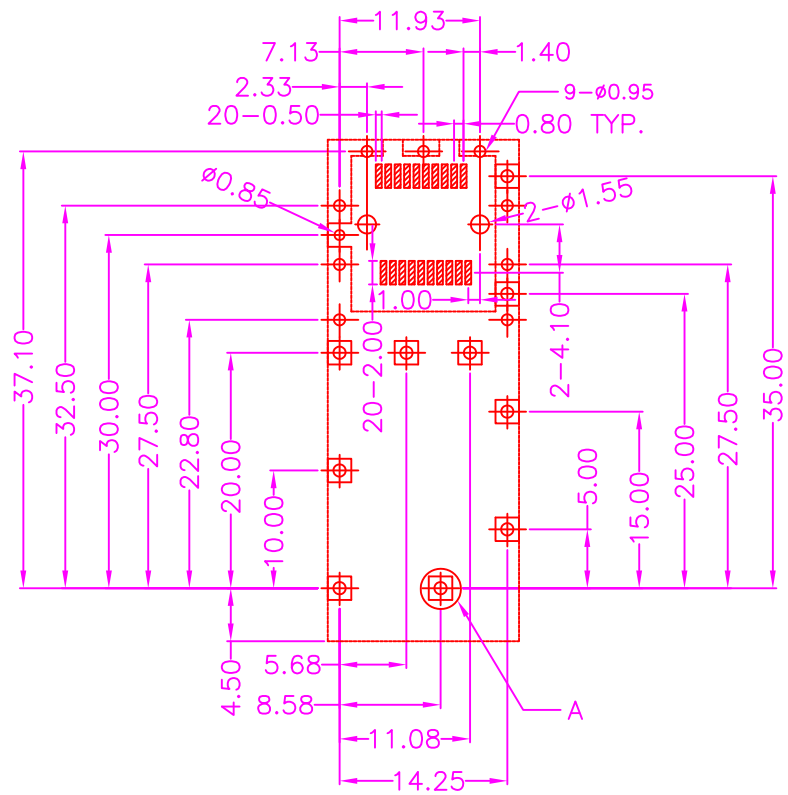
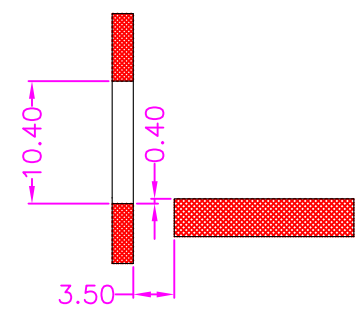
Cyberconn Technology Co., Ltd.
www.cyberconn.com.tw Tel:+886-3-4951314

TOLERANCES	TITLE	SFP SERIES				
X.X ±0.3 X.XX ±0.2 X.XXX ±0.1 Angle ±5°		SFP CAGE, R/A, METAL SHIELD, PRESS FIT TYPE WITH LIGHT PIPE TABS				
	DRAWN BY	CHECKED BY	APPROVED BY			
	<i>Janice</i>	<i>Lion</i>	<i>Benson</i>			
UNIT	SCALE	SIZE	DRAW NO.	REV.	Sheet	
10001	MM	NONE	A4	011AD-001	A 1/1	

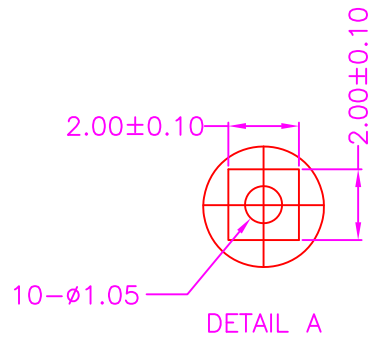
A	RELEASE	2011.10.6
REV.	DESCRIPTION	DATE



RECOMMENDED PANEL DESIGN



P.C.B. LAYOUT
TOP VIEW ± 0.05



Cyberconn Technology Co., Ltd.
www.cyberconn.com.tw Tel:+886-3-4951314

TOLERANCES	TITLE	SFP SERIES				
X.X ± 0.3		SFP CAGE, LAYOUT				
X.XX ± 0.2		DRAWN BY	CHECKED BY	APPROVED BY		
X.XXX ± 0.1		Janice	Lion	Benson		
Angle $\pm 5^\circ$		UNIT	SCALE	SIZE	DRAW NO.	REV.
		10001	MM	NONE	A4	011AD-001-1
						Sheet
						1/1

A	RELEASE	2011.10.6
REV.	DESCRIPTION	DATE