

MATERIALS

HOUSING: THERMOPLASTIC (UL 94V-0), BLACK  
 SHELL: STAINLESS STEEL, TIN PLATING  
 TERMINAL: COPPER ALLOY, GOLD PLATING

SPECIFICATION

CURRENT RATING: 1.8 AMP MAX (ONLY PIN 1, 5), OTHER 1 AMP MAX  
 DIELECTRIC WITHSTANDING: 100V AC FOR ONE MINUTE  
 CONTACT RESISTANCE: 30m OHMS MAX  
 INSULATION RESISTANCE: 100M OHMS MIN AT DC 500V  
 OPERATION TEMPERATURE: -25°C~+105°C

PART NUMBER:

2USTC - 0 5 \* - 1 \* 1

SERIES

NO. OF POS.

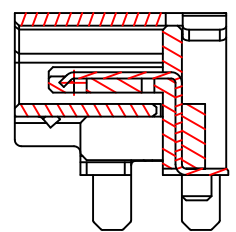
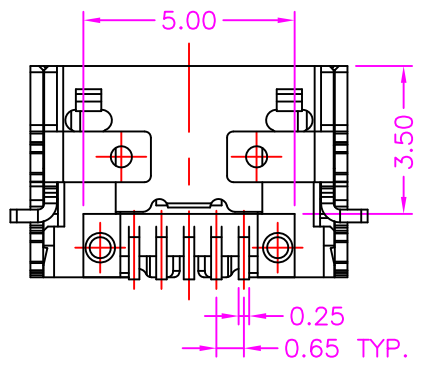
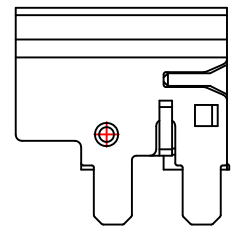
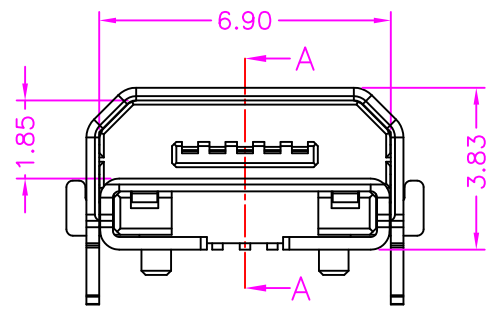
PACKAGE OPTION

2: TAPE REEL

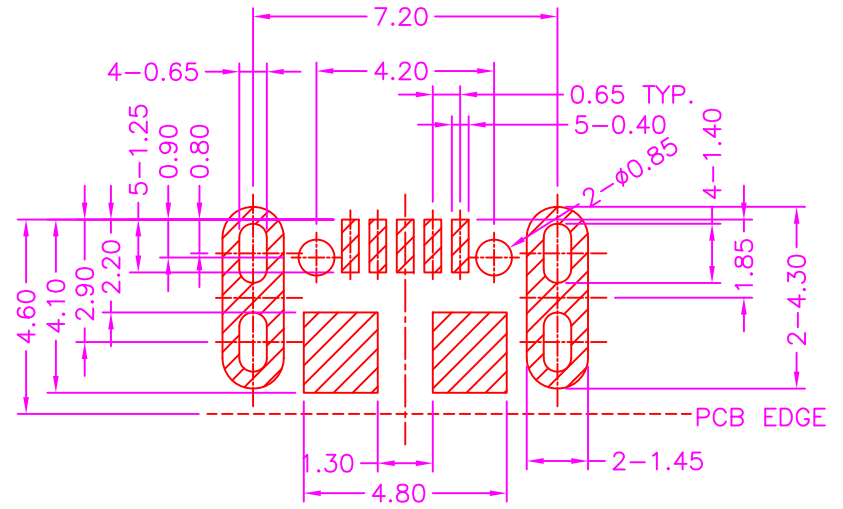
3: TUBE

CONTACT PLATED OPTION

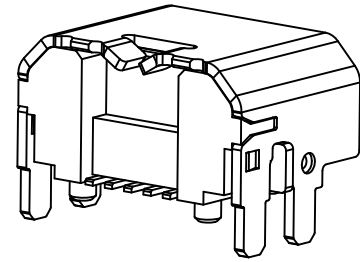
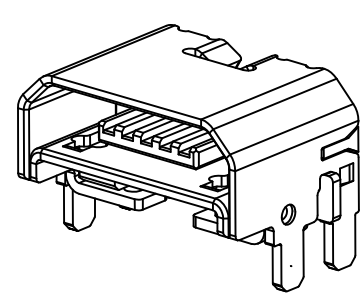
- 1: GOLD FLASH
- 3: 3u" GOLD
- 5: 5u" GOLD
- 7: 15u" GOLD
- 9: 30u" GOLD



SECTION A-A



P.C.B LAYOUT TOP VIEW ±0.05



**Cyberconn Technology Co., Ltd.**  
 www.cyberconn.com.tw Tel:+886-3-4951314

TOLERANCES	USB CONNECTOR SERIES					
X.X ±0.3	TITLE MICRO USB B TYPE, PCB MOUNT, SMT, REVERSE TYPE					
X.XX ±0.2	METAL SHIELD, FEMALE, STAND OFF HEIGHT=3.80mm					
X.XXX ±0.1	DRAWN BY	CHECKED BY		APPROVED BY		
Angle ±5°	Janice	Lion		Benson		
	UNIT	SCALE	SIZE	DRAW NO.	REV.	Sheet
	10001	MM	NONE	A4	2USTC-001	A 1/1

A	RELEASE	2012.7.30
REV.	DESCRIPTION	DATE