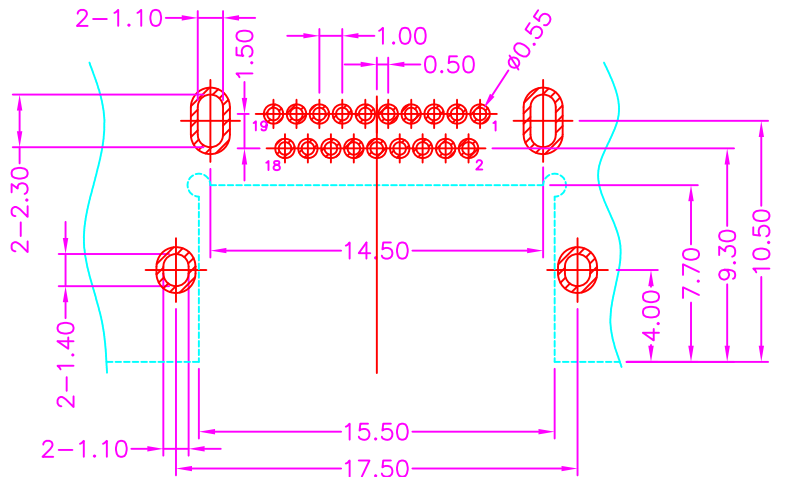
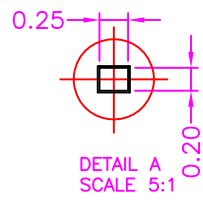
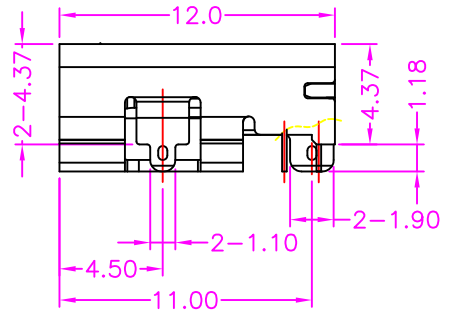
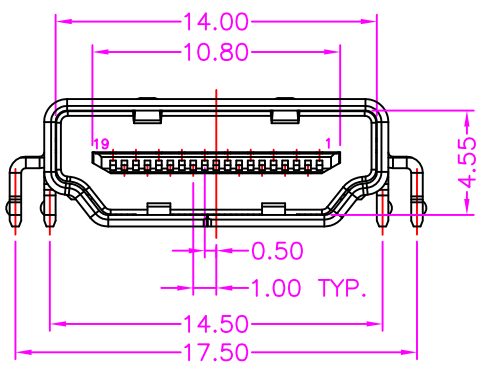
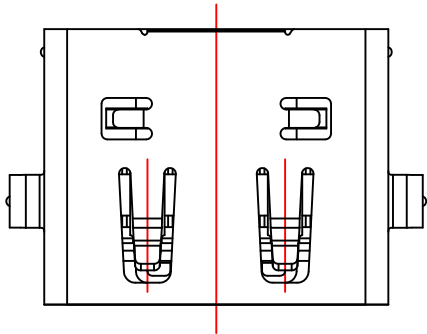
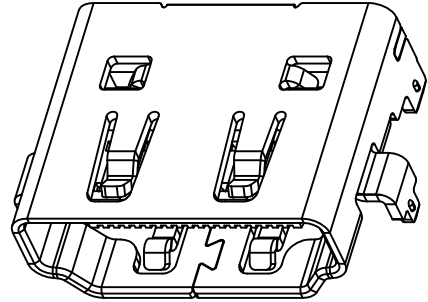


MATERIALS

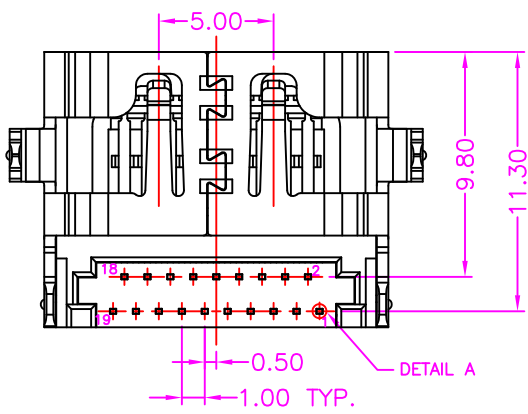
HOUSING: HI-TEMP. PLASTIC (UL 94V-0), BLACK
SHELL: COPPER ALLOY, NICKEL PLATING
TERMINAL: COPPER ALLOY, GOLD PLATED

SPECIFICATION

CURRENT RATING: 0.5 AMP MAX
DIELECTRIC WITHSTANDING: 500V AC FOR ONE MINUTE
CONTACT RESISTANCE: 30m OHMS MAX
INSULATION RESISTANCE: 100M OHMS MIN AT DC 500V
OPERATION TEMPERATURE: -20°C~+85°C



P.C.B. LAYOUT
TOP VIEW ±0.05



PART NUMBER:
2HDCF - 1 9 * - 1 2 2

SERIES NO. OF POS. TAPE REEL PACKAGE

CONTACT PLATED OPTION

- 1: GOLD FLASH
- 3: 3u" GOLD
- 5: 5u" GOLD
- 7: 15u" GOLD
- 9: 30u" GOLD

Cyberconn Technology Co., Ltd.
www.cyberconn.com.tw Tel:+886-3-4951314

TOLERANCES	HDMI CONNECTOR SERIES				
X.X ±0.3	TITLE HDMI, PCB MOUNT, R/A, MID MOUNT, METAL SHIELD FEMALE				
X.XX ±0.2	DRAWN BY		CHECKED BY		APPROVED BY
X.XXX ±0.1	Janice		Lion		Benson
Angle ±5°	UNIT	SCALE	SIZE	DRAW NO.	REV. Sheet
	10096	MM	NONE	A4 2HDCF-002	A 1/1

A	RELEASE	2012.7.2
REV.	DESCRIPTION	DATE