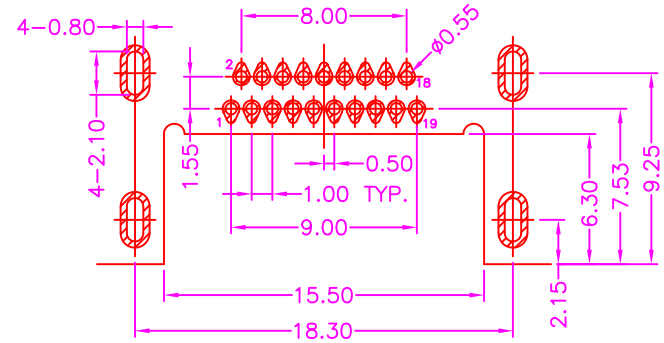
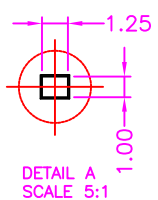
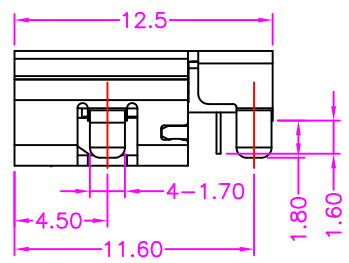
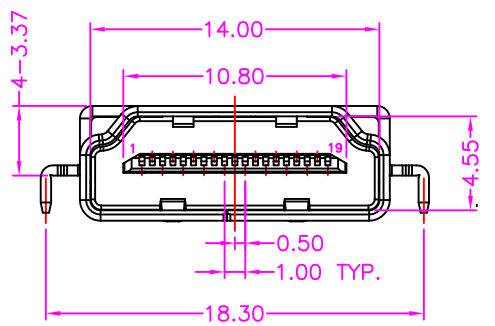
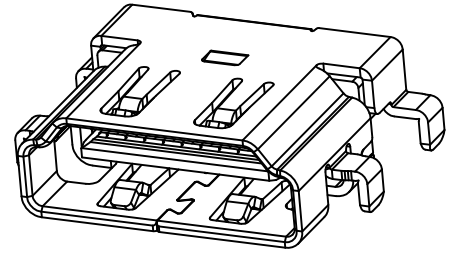


MATERIALS

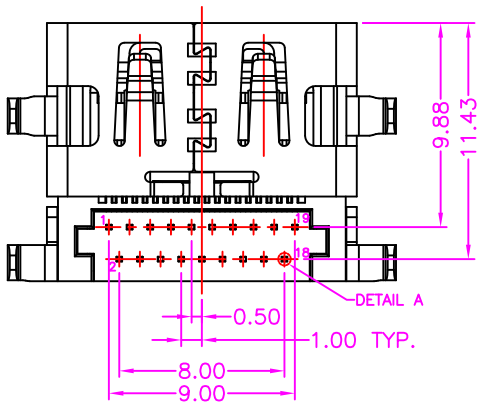
HOUSING: HI-TEMP. PLASTIC (UL 94V-0), BLACK
 SHELL: COPPER ALLOY, NICKEL PLATING
 TERMINAL: COPPER ALLOY, GOLD PLATED

SPECIFICATION

CURRENT RATING: 0.5 AMP MAX
 DIELECTRIC WITHSTANDING: 500V AC FOR ONE MINUTE
 CONTACT RESISTANCE: 30m OHMS MAX
 INSULATION RESISTANCE: 100M OHMS MIN AT DC 500V
 OPERATION TEMPERATURE: -20°C~+85°C



P.C.B. LAYOUT
TOP VIEW ±0.05



PART NUMBER:
 2HDCQ - 1 9 * - 1 2 0

SERIES — NO. OF POS. — CONTACT PLATED OPTION — TAPE REEL PACKAGE

- CONTACT PLATED OPTION
- 1: GOLD FLASH
 - 3: 3u" GOLD
 - 5: 5u" GOLD
 - 7: 15u" GOLD
 - 9: 30u" GOLD

| | | |
|------|-------------|-----------|
| A | RELEASE | 2012.5.31 |
| REV. | DESCRIPTION | DATE |

| | | | | | | |
|--|--|--|------------|-------------|----------|-----------------|
| Cyberconn Technology Co., Ltd. www.cyberconn.com.tw Tel:+886-3-4951314 | | | | | | |
| TOLERANCES | | TITLE HDMI CONNECTOR SERIES | | | | |
| X.X ±0.3 | | HDMI, PCB MOUNT, R/A, BOARD CUT REVERSE TYPE | | | | |
| X.XX ±0.2 | | METAL SHIELD, FEMALE | | | | |
| X.XXX ±0.1 | | DRAWN BY | CHECKED BY | APPROVED BY | | |
| Angle ±5° | | Janice | Lion | Benson | | |
| | | UNIT | SCALE | SIZE | DRAW NO. | REV. Sheet |
| | | 10096 | MM | NONE | A4 | 2HDCQ-001 A 1/1 |