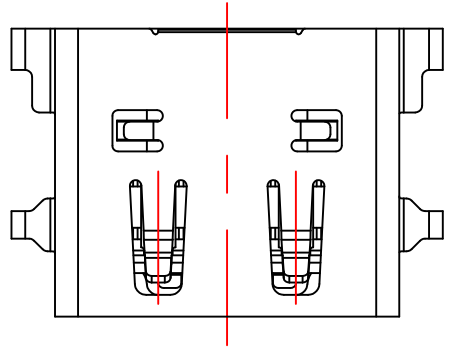


1 2 3 4 5 6 7 8

F

F

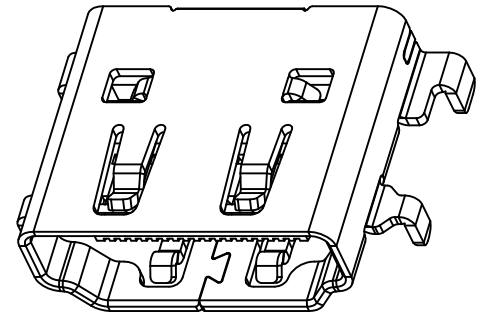


MATERIALS

HOUSING: HI-TEMP. PLASTIC (UL 94V-0), BLACK  
 SHELL: COPPER ALLOY, NICKEL PLATING  
 TERMINAL: COPPER ALLOY, GOLD PLATED

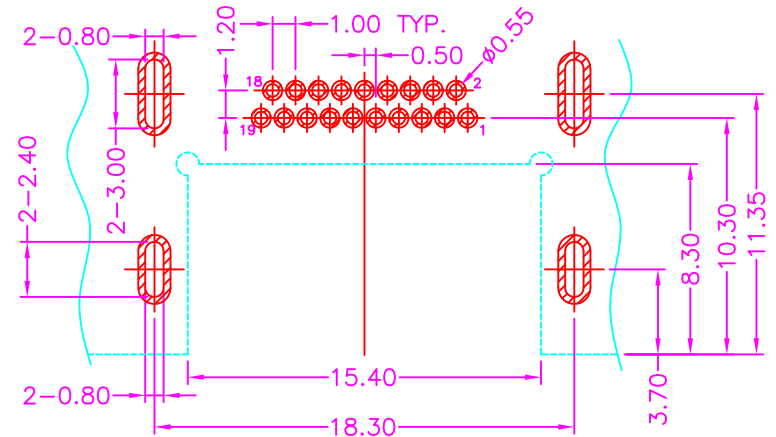
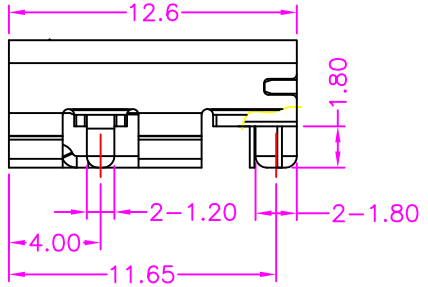
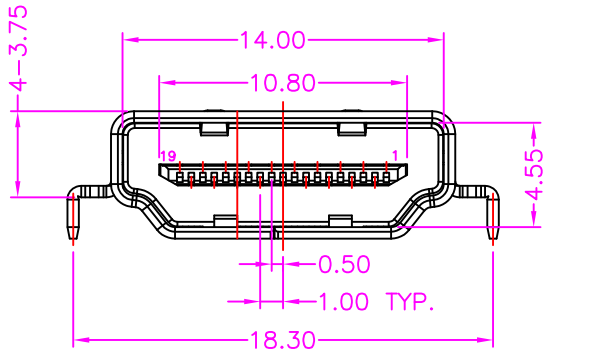
SPECIFICATION

CURRENT RATING: 0.5 AMP MAX  
 DIELECTRIC WITHSTANDING: 500V AC FOR ONE MINUTE  
 CONTACT RESISTANCE: 30m OHMS MAX  
 INSULATION RESISTANCE: 100M OHMS MIN AT DC 500V  
 OPERATION TEMPERATURE: -20°C~+85°C



E

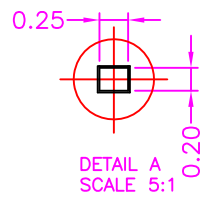
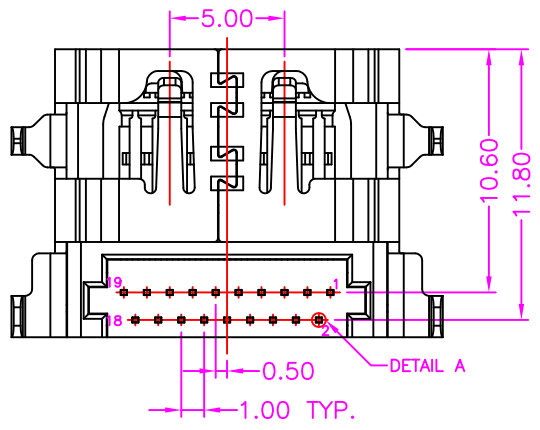
E



P.C.B LAYOUT TOP VIEW ±0.05

C

C



PART NUMBER:  
 2HDCF - 1 9 \* - 1 2 1

SERIES NO. OF POS. TAPE REEL PACKAGE

CONTACT PLATED OPTION

- 1: GOLD FLASH
- 3: 3u" GOLD
- 5: 5u" GOLD
- 7: 15u" GOLD
- 9: 30u" GOLD

A

A

A	RELEASE	2012.7.2
REV.	DESCRIPTION	DATE

**Cyberconn Technology Co., Ltd.**  
 www.cyberconn.com.tw Tel:+886-3-4951314

TOLERANCES	HDMI CONNECTOR SERIES				
X.X ±0.3	TITLE HDMI, PCB MOUNT, R/A, MID MOUNT, METAL SHIELD FEMALE				
X.XX ±0.2	DRAWN BY		CHECKED BY		APPROVED BY
X.XXX ±0.1	Janice		Lion		Benson
Angle ±5°	UNIT	SCALE	SIZE	DRAW NO.	REV.
	10096	MM	NONE	A4	2HDCF-001
					Sheet
					1/1

1 2 3 4 5 6 7 8