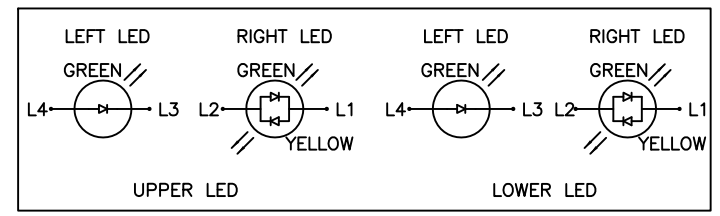
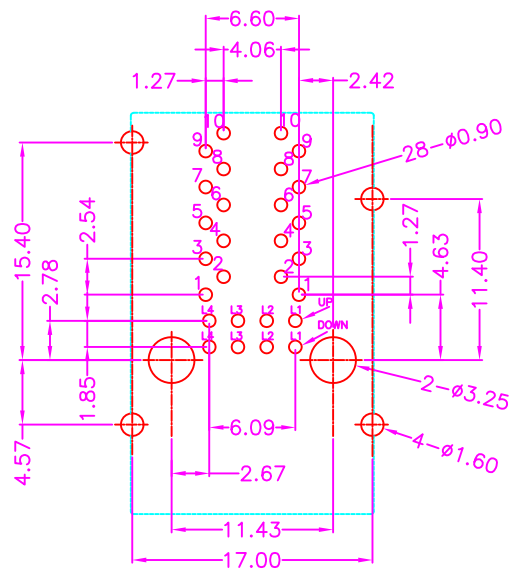
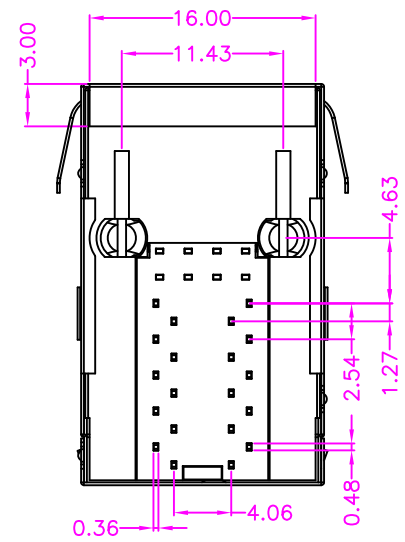
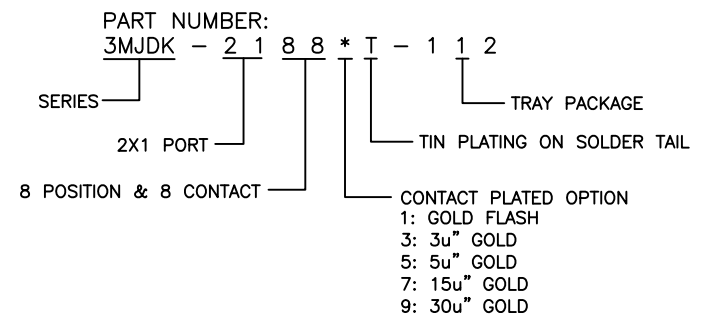


MATERIALS

HOUSING: THERMOPLASTIC (UL 94V-0)
 SHELL: COPPER ALLOY, NICKEL PLATING
 TERMINAL: COPPER ALLOY, GOLD PLATED ON CONTACT AREA
 TIN PLATING ON SOLDER TAIL

SPECIFICATION

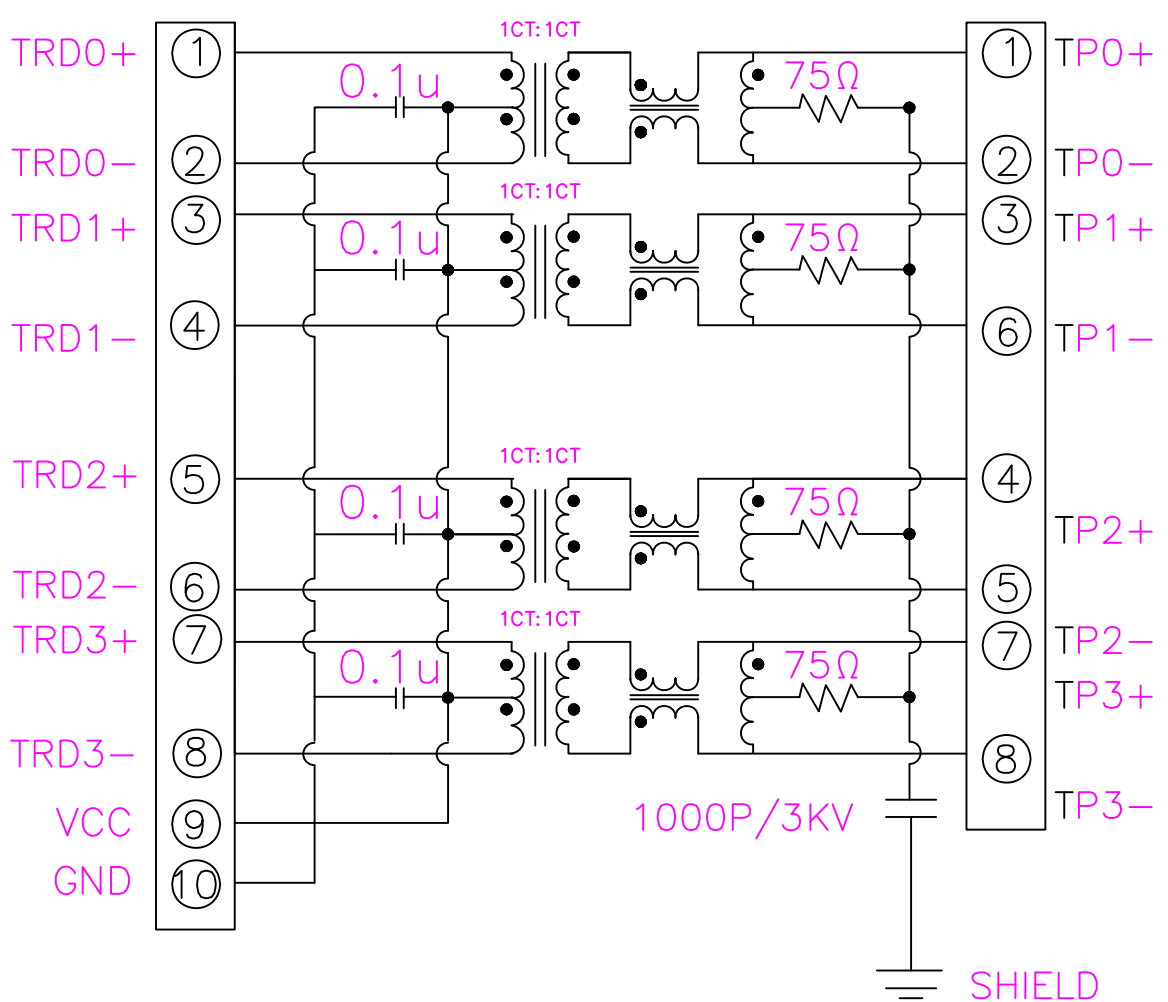
CURRENT RATING: 1.5 AMP MAX
 DIELECTRIC WITHSTANDING: 500V AC FOR ONE MINUTE
 CONTACT RESISTANCE: 30m OHMS MAX
 INSULATION RESISTANCE: 1000M OHMS MIN AT DC 500V
 OPERATION TEMPERATURE: -40°C~+85°C



Cyberconn Technology Co., Ltd.
 www.cyberconn.com.tw Tel: +886-3-4951314

TOLERANCES		MODULAR JACK SERIES					
X.X ±0.3		TITLE 2x1 STACKED RJ45, PCB MOUNT, SIDE ENTRY METAL SHIELD, WITH SPRING & LED & TRANSFORMER					
X.XX ±0.2		DRAWN BY		CHECKED BY		APPROVED BY	
X.XXX ±0.1		Janice		Lion		Benson	
Angle ±5°		UNIT	SCALE	SIZE	DRAW NO.	REV.	
		10025	MM	NONE	A4	3MJDK-002	A
						Sheet	1/2

A	RELEASE	2012.6.25
REV.	DESCRIPTION	DATE



LED Specification

Standard LED Color	LED Wavelength	Forward (V MAX)	Typical (V TYP)
Green	560-580 nm	2.5V	2.1-2.2V
Yellow	580-610 nm	2.5V	2.1-2.2V

A	RELEASE	2012.6.25
REV.	DESCRIPTION	DATE

Cyberconn Technology Co., Ltd.
www.cyberconn.com.tw Tel:+886-3-4951314

TOLERANCES	MODULAR JACK SERIES					
X.X ±0.3	TITLE	2x1 STACKED RJ45, PCB MOUNT, SIDE ENTRY METAL SHIELD, WITH SPRING & LED & TRANSFORMER				
X.XX ±0.2	DRAWN BY	CHECKED BY	APPROVED BY			
X.XXX ±0.1	<i>Janice</i>	<i>Lion</i>	<i>Benson</i>			
Angle ±5°	UNIT	SCALE	SIZE	DRAW NO.	REV.	Sheet
	10025	MM	NONE	A4	3MJDK-002-1	A 2/2