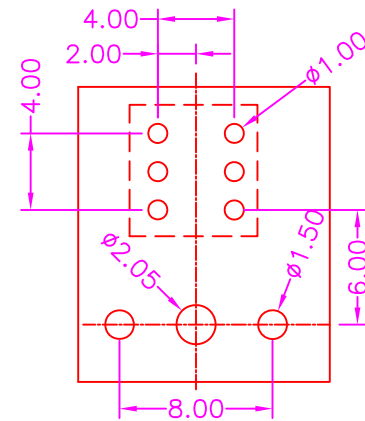
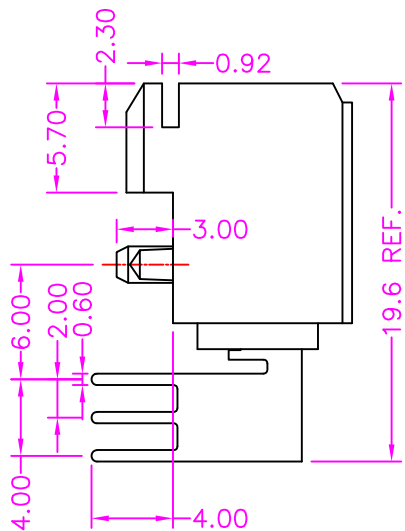
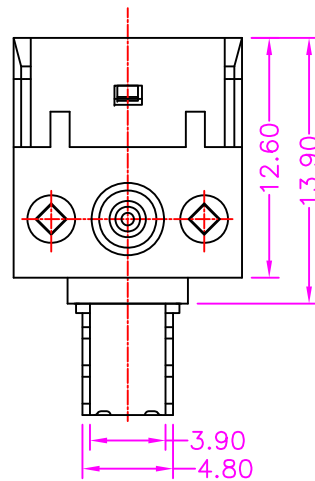


MATERIALS

HOUSING: HI-TEMP. PLASTIC (UL 94V-0)  
 TERMINAL: COPPER ALLOY, GOLD PLATED

SPECIFICATION

CURRENT RATING: 30 AMP MAX  
 DIELECTRIC WITHSTANDING: 1000V AC FOR ONE MINUTE  
 CONTACT RESISTANCE: 10m OHMS MAX  
 INSULATION RESISTANCE: 5000M OHMS MIN AT DC 500V  
 OPERATION TEMPERATURE: -65°C~+125°C



P.C.B LAYOUT  
 TOP VIEW ±0.05

PART NUMBER:  
 1PPBA - \* - 1 3 1

SERIES ————— TUBE PACKAGE

CONTACT PLATED OPTION —————  
 6: 10u" GOLD  
 7: 15u" GOLD  
 9: 30u" GOLD

A	RELEASE	2012.5.17
REV.	DESCRIPTION	DATE

<b>Cyberconn Technology Co., Ltd.</b> <small>www.cyberconn.com.tw Tel:+886-3-4951314</small>						
TOLERANCES		TITLE				
X.X ±0.3		POWER PIN CONNECTOR SERIES				
X.XX ±0.2		POWER PIN, PCB MOUNT, R/A, FEMALE				
X.XXX ±0.1		DRAWN BY		CHECKED BY		APPROVED BY
Angle ±5°		<i>Janice</i>		<i>Lion</i>		<i>Benson</i>
		UNIT	SCALE	SIZE	DRAW NO.	REV.
10044		MM	NONE	A4	1PPBA-001	A
						Sheet
						1/1