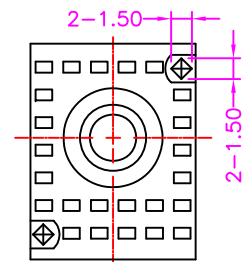
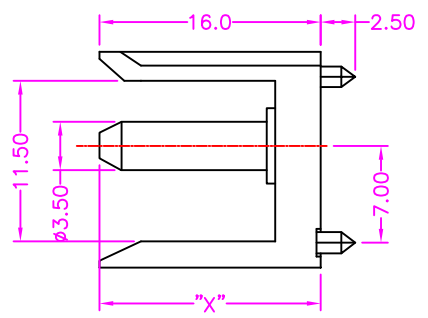
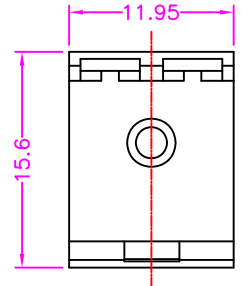


**MATERIALS**  
 HOUSING: HI-TEMP. PLASTIC (UL 94V-0)  
 TERMINAL: COPPER ALLOY, GOLD PLATED

**SPECIFICATION**  
 CURRENT RATING: 30 AMP MAX  
 DIELECTRIC WITHSTANDING: 1000V AC FOR ONE MINUTE  
 CONTACT RESISTANCE: 10m OHMS MAX  
 INSULATION RESISTANCE: 5000M OHMS MIN AT DC 500V  
 OPERATION TEMPERATURE: -65°C~+125°C

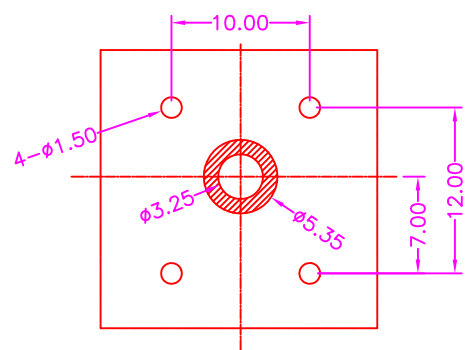


**PART NUMBER:**  
 1PPAA - 9 - 2 3 \*

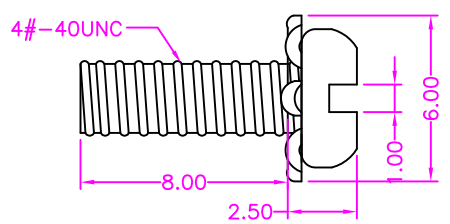
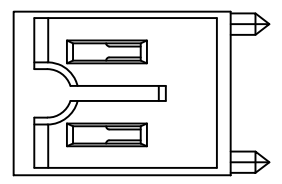
SERIES ——— |  
 30u" GOLD ON CONTACT ——— |

DIM. "X" OPTION  
 1: 14.5mm  
 2: 16.0mm

TUBE PACKAGE



**P.C.B. LAYOUT  
 TOP VIEW ±0.05**



**Cyberconn Technology Co., Ltd.**  
 www.cyberconn.com.tw Tel: +886-3-4951314

TOLERANCES	TITLE	POWER PIN CONNECTOR SERIES				
X.X ±0.3		POWER PIN, PCB MOUNT, VERTICAL, MALE				
X.XX ±0.2	DRAWN BY	CHECKED BY	APPROVED BY			
X.XXX ±0.1	<i>Janice</i>	<i>Lion</i>	<i>Benson</i>			
Angle ±5°	UNIT	SCALE	SIZE	DRAW NO.	REV.	Sheet
	10044	MM	NONE	A4	1PPAA-001	A 1/1

A	RELEASE	2012.5.17
REV.	DESCRIPTION	DATE