

MATERIALS

HOUSING: HI-TEMP. PLASTIC (UL 94V-0), BEIGE
 LATCH: SUS, TIN PLATING
 TERMINAL: COPPER ALLOY, GOLD PLATED

SPECIFICATION

CURRENT RATING: 0.3 AMP MAX
 DIELECTRIC WITHSTANDING: 250V AC FOR ONE MINUTE
 CONTACT RESISTANCE: 35m OHMS MAX
 INSULATION RESISTANCE: 250M OHMS MIN AT DC 500V
 OPERATION TEMPERATURE: -55°C+85°C

PART NUMBER:

4MSSF - 1 4 4 * T - 1 1 0

SERIES: 4MSSF
 NO. OF POS.: 144
 CONTACT PLATED OPTION: *
 TRAY: T
 TIN PLATING ON SOLDER TAIL: 110

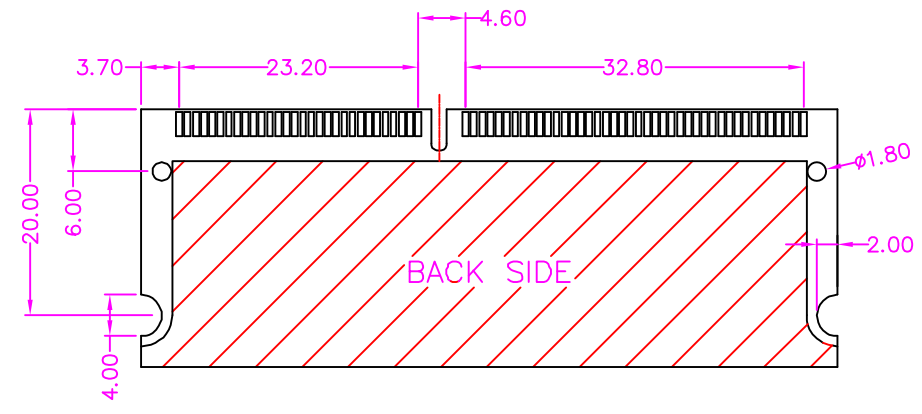
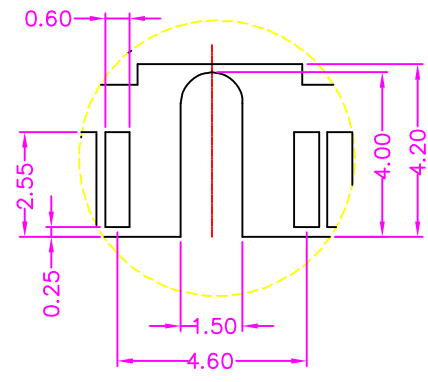
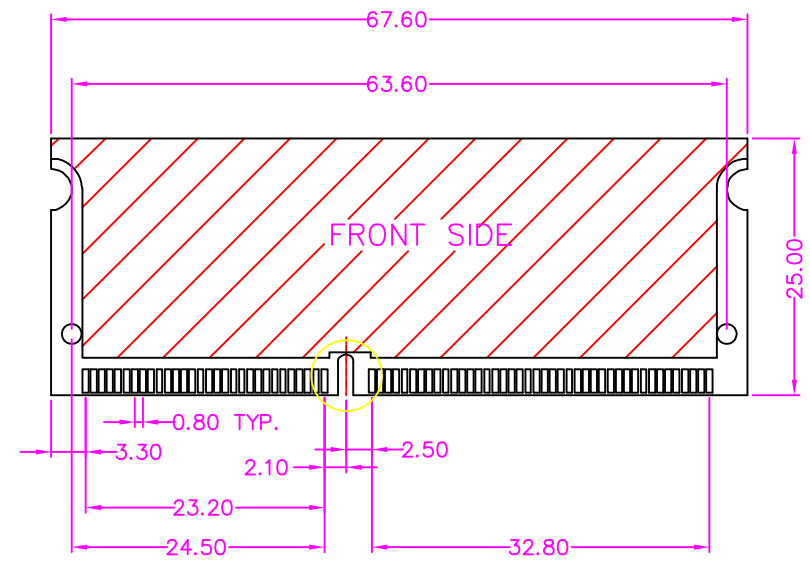
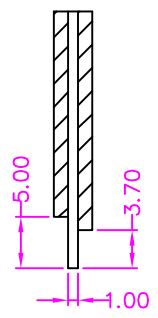
CONTACT PLATED OPTION

- 1: GOLD FLASH
- 3: 3u" GOLD
- 5: 5u" GOLD
- 6: 10u" GOLD
- 7: 15u" GOLD
- 9: 30u" GOLD

A	RELEASE	2012.3.15
REV.	DESCRIPTION	DATE

Cyberconn Technology Co., Ltd.
www.cyberconn.com.tw Tel:+886-3-4951314

TOLERANCES	MEMORY SOCKET SERIES				
X.X ±0.3	TITLE S.O. DIMM SOCKET 144 PIN, 0.80mm PITCH, PCB MOUNT, SMT, MALE, WITH LATCH & POST (H=5.20mm)				
X.XX ±0.2					
X.XXX ±0.1 Angle ±5°					
	DRAWN BY	CHECKED BY	APPROVED BY		
	<i>Janice</i>	<i>Lion</i>	<i>Benson</i>		
	UNIT	SCALE	SIZE	DRAW NO.	REV. Sheet
	MM	NONE	A4	4MSSF-001	A 1/2



A	RELEASE	2012.3.15
REV.	DESCRIPTION	DATE

Cyberconn Technology Co., Ltd. www.cyberconn.com.tw Tel: +886-3-4951314						
TOLERANCES		MEMORY SOCKET SERIES				
X.X ±0.3		TITLE S.O. DIMM SOCKET 144 PIN, 0.80mm PITCH, PCB MOUNT, SMT, MALE, WITH LATCH & POST (H=5.20mm)				
X.XX ±0.2		DRAWN BY		CHECKED BY		APPROVED BY
X.XXX ±0.1		<i>Janice</i>		<i>Lion</i>		<i>Benson</i>
Angle ±5°		UNIT	SCALE	SIZE	DRAW NO.	REV.
		10097	MM	NONE	A4	4MSSF-001-1
						Sheet
						2/2