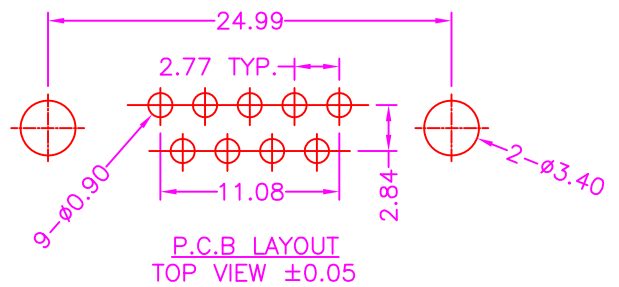
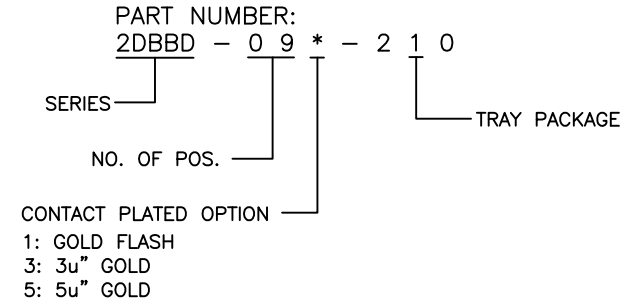
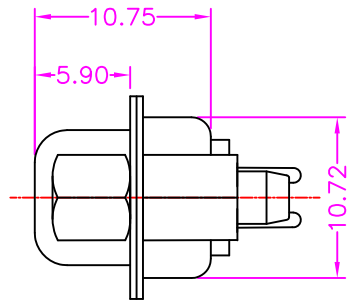
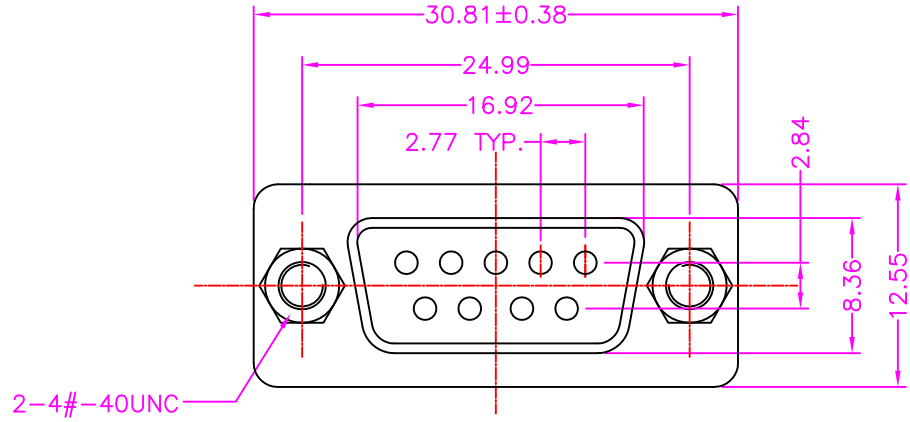


MATERIALS

HOUSING: PBT (UL 94V-0)
 SHELL: SPCC, NICKEL PLATING
 BOARD LOCK (HEX NUT): SPCC
 SCREW: COPPER ALLOY, NICKEL PLATING
 TERMINAL: COPPER ALLOY, GOLD PLATED

SPECIFICATION

CURRENT RATING: 5 AMP MAX
 DIELECTRIC WITHSTANDING: 1000V AC FOR ONE MINUTE
 CONTACT RESISTANCE: 30m OHMS MAX
 INSULATION RESISTANCE: 1000M OHMS MIN AT DC 500V
 OPERATION TEMPERATURE: -55°C~+105°C



A	RELEASE	2011.7.26
REV.	DESCRIPTION	DATE

Cyberconn Technology Co., Ltd.
 www.cyberconn.com.tw Tel:+886-3-4951314

TOLERANCES	D-SUB CONNECTOR SERIES					
X.X ±0.3	TITLE D-SUB, PCB MOUNT, VERTICAL, METAL SHIELD, MALE, STAMPED PIN, WITH HEX BOARDLOCK AND SCREW					
X.XX ±0.2	DRAWN BY		CHECKED BY		APPROVED BY	
X.XXX±0.1	Janice		Lion		Benson	
Angle ±5°	UNIT	SCALE	SIZE	DRAW NO.	REV.	Sheet
	10047	MM	NONE	A4	2DBBD-001 A	1/1