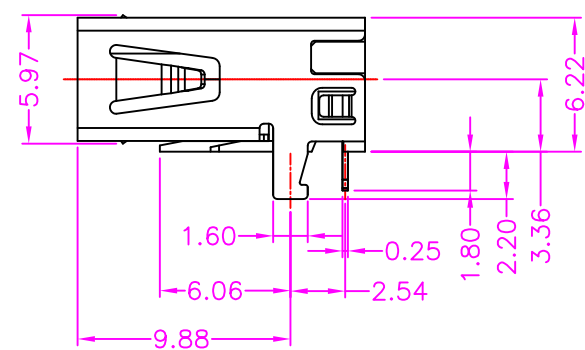
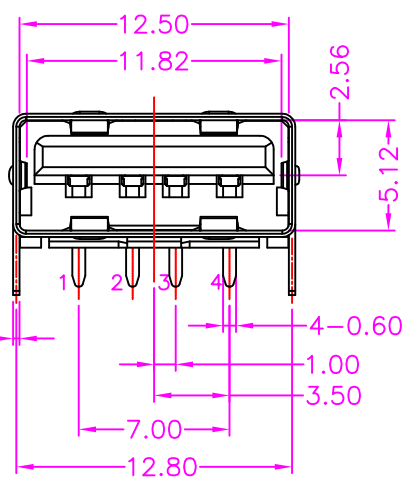


**MATERIALS**

HOUSING: LCP (UL 94V-0)  
 SHELL: COPPER ALLOY, NICKEL PLATING  
 TERMINAL: COPPER ALLOY, GOLD PLATED ON CONTACT AREA  
 TIN PLATING ON SOLDER TAIL

**SPECIFICATION**

CURRENT RATING: 1 AMP MAX  
 DIELECTRIC WITHSTANDING: 500V AC FOR ONE MINUTE  
 CONTACT RESISTANCE: 30m OHMS MAX  
 INSULATION RESISTANCE: 1000M OHMS MIN AT DC 500V  
 OPERATION TEMPERATURE: -25°C~+85°C

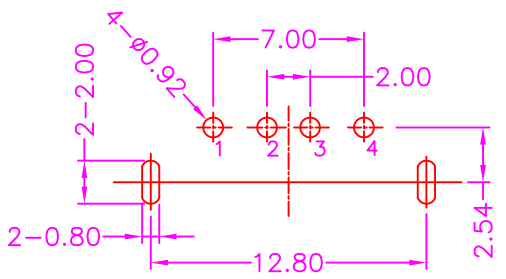


PART NUMBER:  
**2USAC - 0 4 \* T - 1 2 0**

SERIES — NO. OF POS. — PART NUMBER — TIN PLATING ON SOLDER TAIL — TAPE REEL PACKAGE

CONTACT PLATED OPTION

1: GOLD FLASH  
 3: 3u" GOLD  
 5: 5u" GOLD  
 6: 10u" GOLD  
 9: 30u" GOLD



P.C.B. LAYOUT  
 TOP VIEW ±0.05

A	RELEASE	2011.12.5
REV.	DESCRIPTION	DATE

**Cyberconn Technology Co., Ltd.**  
 www.cyberconn.com.tw Tel:+886-3-4951314

TOLERANCES	TITLE	USB CONNECTOR SERIES				
X.X ±0.3 X.XX ±0.2 X.XXX±0.1 Angle ±5°	USB A TYPE, PCB MOUNT, R/A, METAL SHIELD FEMALE	DRAWN BY		CHECKED BY	APPROVED BY	
		<i>Janice</i>		<i>Lion</i>	<i>Benson</i>	
	UNIT	SCALE	SIZE	DRAW NO.	REV.	Sheet
	10001	MM	NONE	A4	2USAC-001	A 1/1