

PART NUMBER:

2USAL - 0 4 \* T - 1 2 2

SERIES NO. OF POS. TIN PLKATING ON SOLDER TAIL TAPE REEL PACKAGE

CONTACT PLATED OPTION

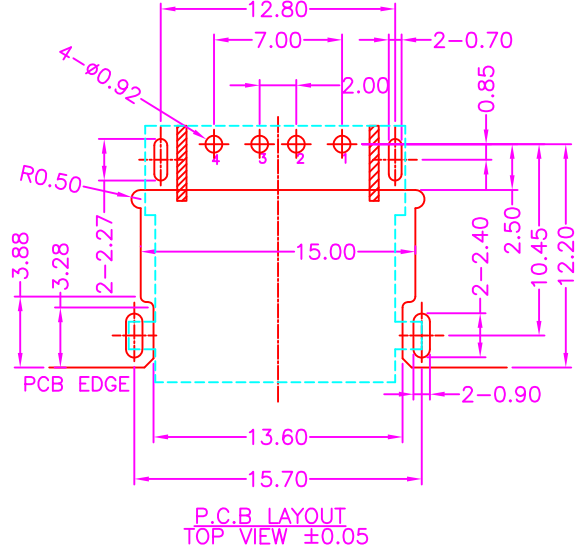
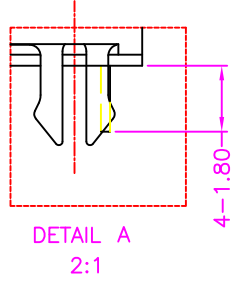
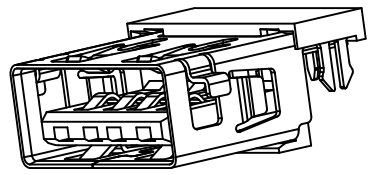
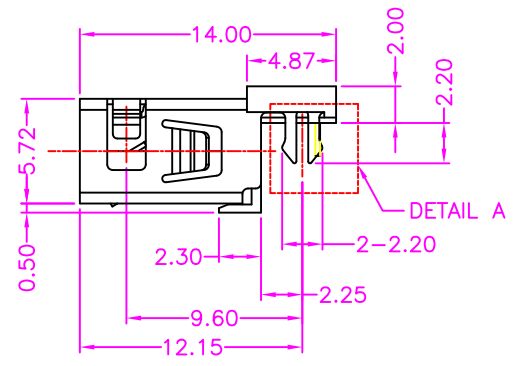
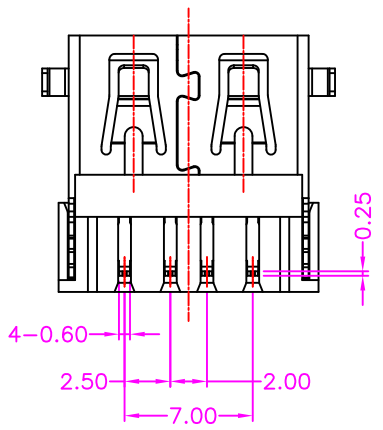
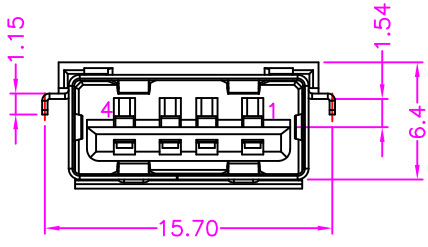
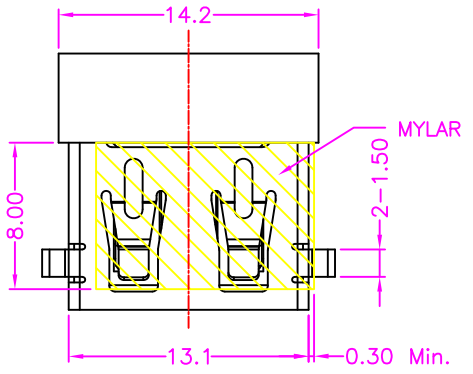
- 1: GOLD FLASH
- 3: 3u" GOLD
- 5: 5u" GOLD
- 6: 10u" GOLD
- 7: 15u" GOLD
- 9: 30u" GOLD

MATERIALS

HOUSING: HI-TEMP. PLASTIC (UL 94V-0), BLACK  
 SHELL: COPPER ALLOY, NICKEL PLATING  
 TERMINAL: COPPER ALLOY, GOLD PLATED ON CONTACT AREA  
 TIN PLATING ON SOLDER TAIL

SPECIFICATION

CURRENT RATING: 1 AMP MAX  
 DIELECTRIC WITHSTANDING: 500V AC FOR ONE MINUTE  
 CONTACT RESISTANCE: 30m OHMS MAX  
 INSULATION RESISTANCE: 1000M OHMS MIN AT DC 500V  
 OPERATION TEMPERATURE: -25°C~+85°C



A	RELEASE	2012.4.26
REV.	DESCRIPTION	DATE

<b>Cyberconn Technology Co., Ltd.</b> <small>www.cyberconn.com.tw Tel: +886-3-4951314</small>						
TOLERANCES		TITLE				
X.X ±0.3		USB CONNECTOR SERIES USB A TYPE, BOARD CUT PCB MOUNT, SHORT BODY REVERSE TYPE, R/A, METAL SHIELD, FEMALE				
X.XX ±0.2						
X.XXX ±0.1 Angle ±5°						
DRAWN BY		CHECKED BY		APPROVED BY		
<i>Janice</i>		<i>Lion</i>		<i>Benson</i>		
UNIT	SCALE	SIZE	DRAW NO.	REV.	Sheet	
10001	MM	NONE	A4	2USAL-003	A 1/1	