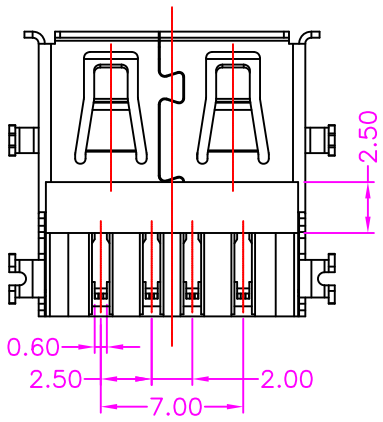
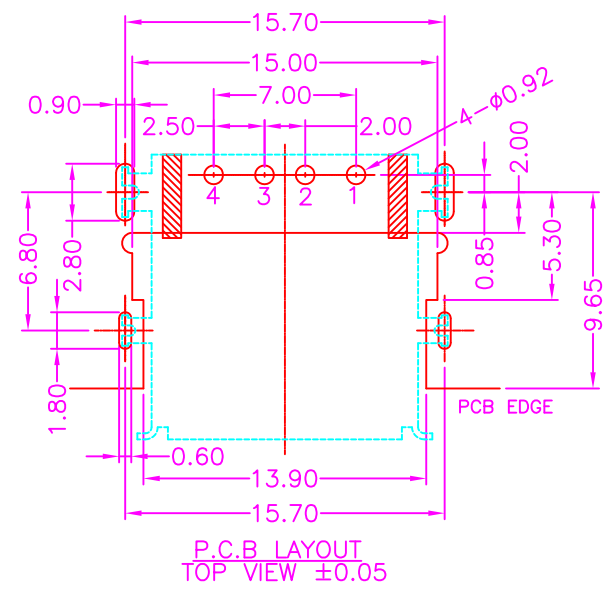
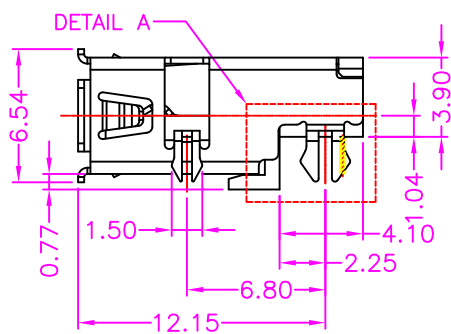
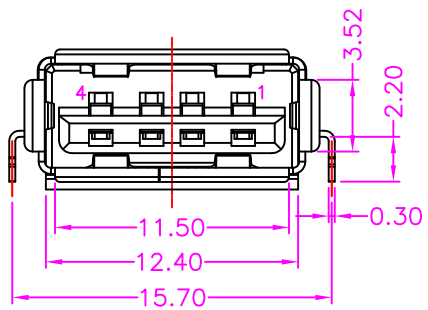


MATERIALS

HOUSING: HI-TEMP. PLASTIC (UL 94V-0), BLACK  
 SHELL: COPPER ALLOY, NICKEL PLATING  
 TERMINAL: COPPER ALLOY, GOLD PLATED ON CONTACT AREA  
 TIN PLATING ON SOLDER TAIL

SPECIFICATION

CURRENT RATING: 1 AMP MAX  
 DIELECTRIC WITHSTANDING: 500V AC FOR ONE MINUTE  
 CONTACT RESISTANCE: 30m OHMS MAX  
 INSULATION RESISTANCE: 1000M OHMS MIN AT DC 500V  
 OPERATION TEMPERATURE: -25°C~+85°C



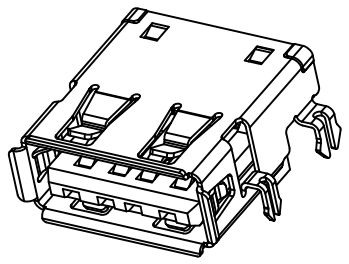
PART NUMBER:

2USAL - 0 4 \* T - 1 2 3

SERIES  
 NO. OF POS.  
 CONTACT PLATED OPTION  
 TAPE REEL PACKAGE  
 TIN PLKATING ON SOLDER TAIL

CONTACT PLATED OPTION

- 1: GOLD FLASH
- 3: 3u" GOLD
- 5: 5u" GOLD
- 6: 10u" GOLD
- 7: 15u" GOLD
- 9: 30u" GOLD



<b>Cyberconn Technology Co., Ltd.</b> <small>www.cyberconn.com.tw Tel:+886-3-4951314</small>						
TOLERANCES		USB CONNECTOR SERIES				
X.X ±0.3		TITLE USB A TYPE, BOARD CUT PCB MOUNT REVERSE TYPE				
X.XX ±0.2		R/A, METAL SHIELD, FEMALE				
X.XXX ±0.1		DRAWN BY		CHECKED BY		APPROVED BY
Angle ±5°		<i>Janice</i>		<i>Lion</i>		<i>Benson</i>
		UNIT	SCALE	SIZE	DRAW NO.	REV. Sheet
10001		MM	NONE	A4	2USAL-004	A 1/1

A	RELEASE	2012.4.26
REV.	DESCRIPTION	DATE