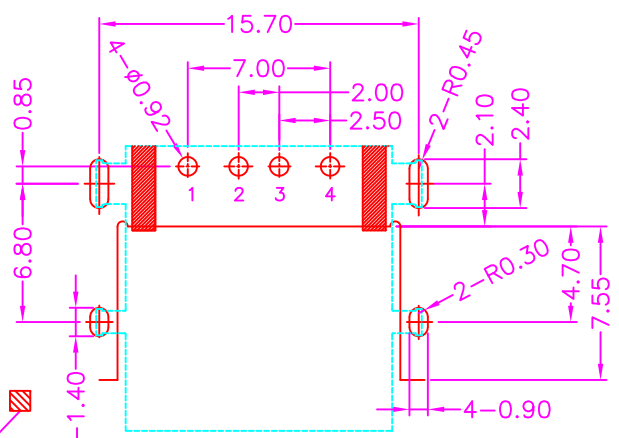
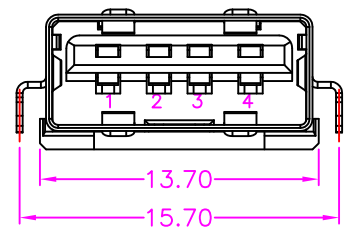
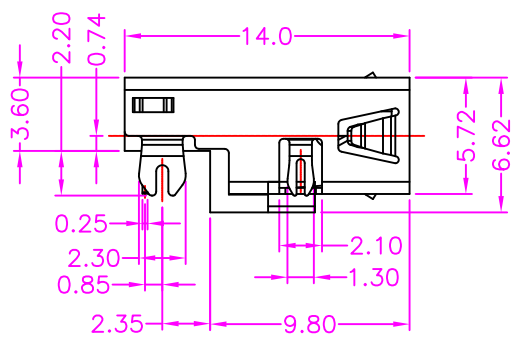
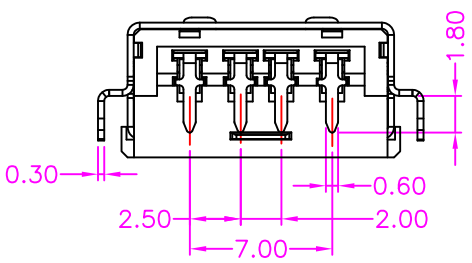


MATERIALS

HOUSING: HI-TEMP. PLASTIC (UL 94V-0), BLACK
 SHELL: COPPER ALLOY, NICKEL PLATING
 TERMINAL: COPPER ALLOY, GOLD PLATED ON CONTACT AREA
 TIN PLATING ON SOLDER TAIL

SPECIFICATION

CURRENT RATING: 1 AMP MAX
 DIELECTRIC WITHSTANDING: 500V AC FOR ONE MINUTE
 CONTACT RESISTANCE: 30m OHMS MAX
 INSULATION RESISTANCE: 1000M OHMS MIN AT DC 500V
 OPERATION TEMPERATURE: -25°C~+85°C



STANDOFF AREA

P.C.B. LAYOUT
 TOP VIEW ±0.05

PART NUMBER:

2USAE - 0 4 * T - 1 2 1

SERIES — NO. OF POS. — TAPE REEL PACKAGE — TIN PLATING ON SOLDER TAIL

CONTACT PLATED OPTION

- 1: GOLD FLASH
- 3: 3u" GOLD
- 5: 5u" GOLD
- 6: 10u" GOLD
- 7: 15u" GOLD
- 9: 30u" GOLD

Cyberconn Technology Co., Ltd. www.cyberconn.com.tw Tel:+886-3-4951314						
TOLERANCES		TITLE				
X.X ±0.3		USB CONNECTOR SERIES				
X.XX ±0.2		USB A TYPE, BOARD CUT PCB MOUNT, R/A				
X.XXX ±0.1		METAL SHIELD, FEMALE				
Angle ±5°		DRAWN BY		CHECKED BY		APPROVED BY
		Janice		Lion		Benson
		UNIT	SCALE	SIZE	DRAW NO.	REV. Sheet
		10001	MM	NONE	A4	2USAE-002 A 1/1

A	RELEASE	2012.4.26
REV.	DESCRIPTION	DATE