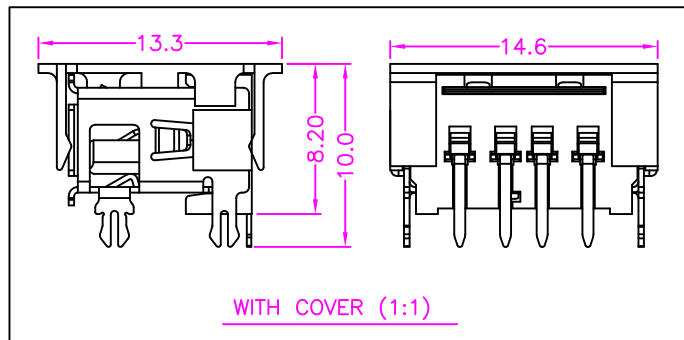
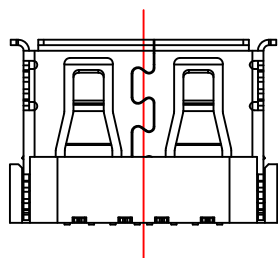
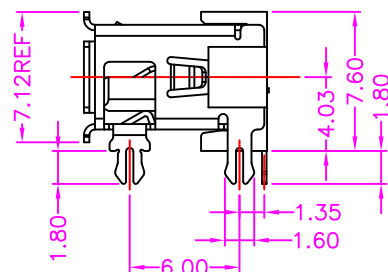
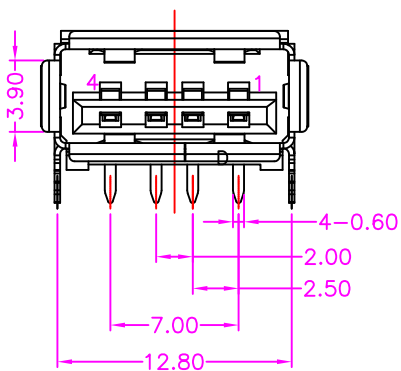


P.C.B. LAYOUT
TOP VIEW ±0.05



WITH COVER (1:1)

MATERIALS

HOUSING: HI-TEMP. PLASTIC (UL 94V-0), BLACK
 SHELL: COPPER ALLOY, NICKEL PLATING
 TERMINAL: COPPER ALLOY, GOLD PLATED ON CONTACT AREA
 TIN PLATING ON SOLDER TAIL

SPECIFICATION

CURRENT RATING: 1 AMP MAX
 DIELECTRIC WITHSTANDING: 500V AC FOR ONE MINUTE
 CONTACT RESISTANCE: 30m OHMS MAX
 INSULATION RESISTANCE: 1000M OHMS MIN AT DC 500V
 OPERATION TEMPERATURE: -25°C~+85°C

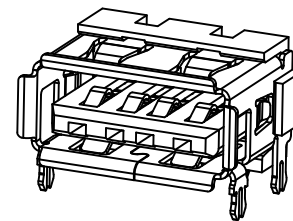
PART NUMBER:

2USAH - 0 4 * T - 1 2 0

SERIES ————
 NO. OF POS. ————
 CONTACT PLATED OPTION ————
 TAPE REEL PACKAGE ————
 TIN PLKATING ON SOLDER TAIL ————

CONTACT PLATED OPTION

- 1: GOLD FLASH
- 3: 3u" GOLD
- 5: 5u" GOLD
- 6: 10u" GOLD
- 7: 15u" GOLD
- 9: 30u" GOLD



A	RELEASE	2012.4.25
REV.	DESCRIPTION	DATE

Cyberconn Technology Co., Ltd. <small>www.cyberconn.com.tw Tel:+886-3-4951314</small>						
TOLERANCES		TITLE USB CONNECTOR SERIES				
X.X ±0.3		R/A, METAL SHIELD, FEMALE				
X.XX ±0.2		DRAWN BY		CHECKED BY		APPROVED BY
X.XXX ±0.1		<i>Janice</i>		<i>Lion</i>		<i>Benson</i>
Angle ±5°		UNIT	SCALE	SIZE	DRAW NO.	REV. Sheet
		10001	MM	NONE	A4	2USAH-001 A 1/1