

MATERIALS

HOUSING: LCP (UL 94V-0), BLACK
SHELL: STAINLESS STEEL, TIN PLATING
TERMINAL: COPPER ALLOY, GOLD PLATING

SPECIFICATION

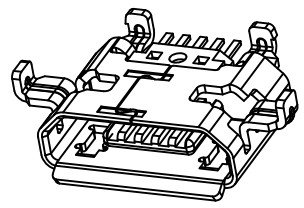
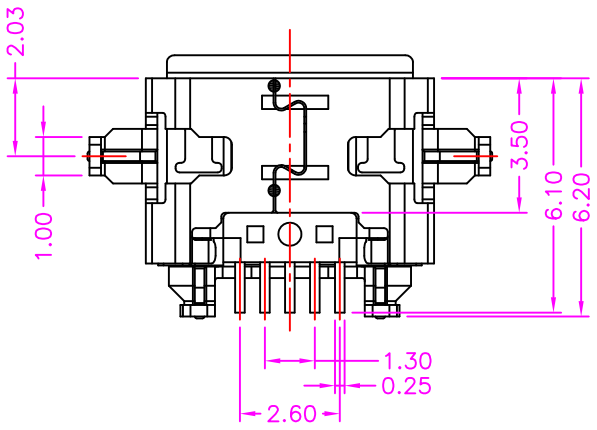
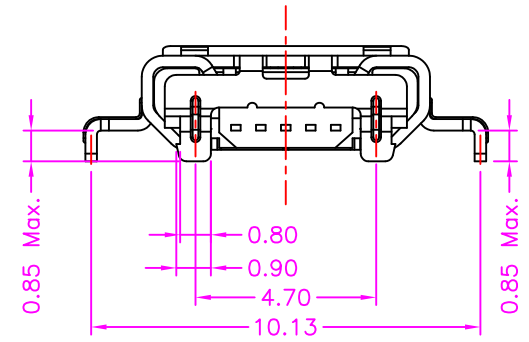
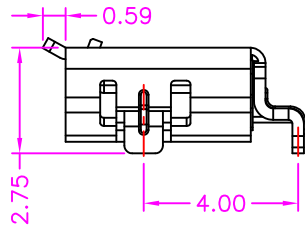
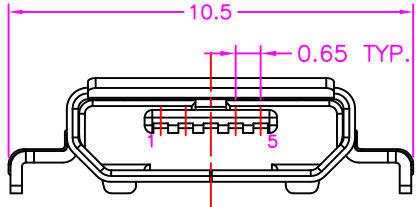
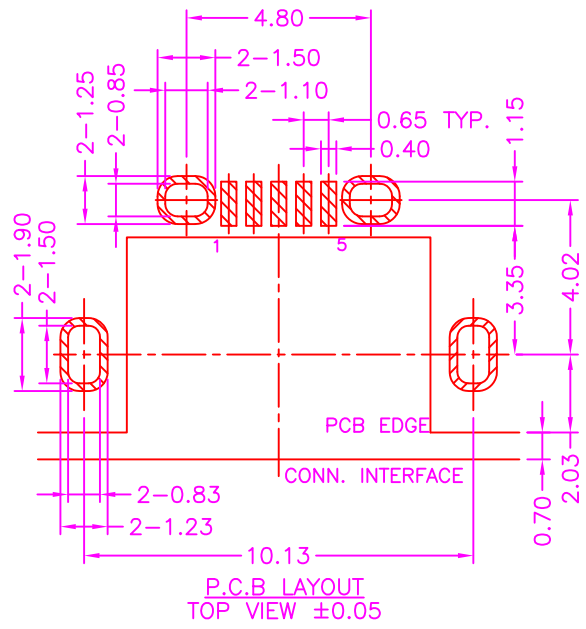
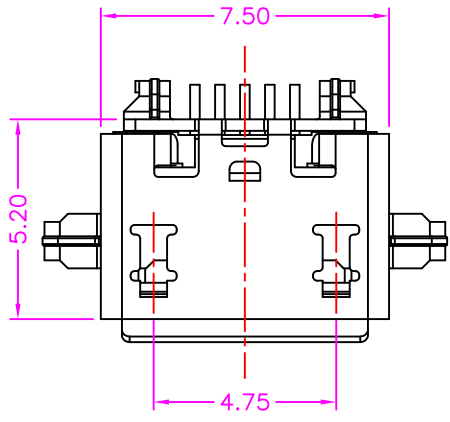
CURRENT RATING: 1.8 AMP MAX (ONLY PIN 1, 5), OTHER 1 AMP MAX
DIELECTRIC WITHSTANDING: 100V AC FOR ONE MINUTE
CONTACT RESISTANCE: 30m OHMS MAX
INSULATION RESISTANCE: 100M OHMS MIN AT DC 500V
OPERATION TEMPERATURE: -25°C~+105°C

PART NUMBER:
2USTD - 0 5 * - 1 * 1

SERIES
NO. OF POS.
PACKAGE OPTION
2: TAPE REEL
3: TUBE

CONTACT PLATED OPTION

- 1: GOLD FLASH
- 3: 3u" GOLD
- 5: 5u" GOLD
- 7: 15u" GOLD
- 9: 30u" GOLD



Cyberconn Technology Co., Ltd.
www.cyberconn.com.tw Tel:+886-3-4951314

TOLERANCES	USB CONNECTOR SERIES					
X.X ±0.3	TITLE MICRO USB B TYPE, PCB MOUNT, SMT, BOARD CUT TYPE					
X.XX ±0.2	METAL SHIELD, FEMALE					
X.XXX ±0.1	DRAWN BY	CHECKED BY		APPROVED BY		
Angle ±5°	Janice	Lion		Benson		
UNIT	SCALE	SIZE	DRAW NO.	REV.	Sheet	
	10001	MM	NONE	A4	2USTD-002 A 1/1	

A	RELEASE	2012.4.24
REV.	DESCRIPTION	DATE