

MATERIALS

HOUSING: HI-TEMP. PLASTIC (UL 94V-0), BLACK
 SHELL: STAINLESS STEEL, NICKEL PLATING
 PAD: STAINLESS STEEL, GOLD FLASH
 SWITCH: COPPER ALLOY, GOLD PLATING
 TERMINAL: COPPER ALLOY, GOLD PLATED ON CONTACT AREA
 TIN PLATING ON SOLDER TAIL

SPECIFICATION

CURRENT RATING: 0.5 AMP MAX
 DIELECTRIC WITHSTANDING: 500V AC FOR ONE MINUTE
 CONTACT RESISTANCE: 60m OHMS MAX
 INSULATION RESISTANCE: 1000M OHMS MIN AT DC 500V
 OPERATION TEMPERATURE: -25°C~+85°C

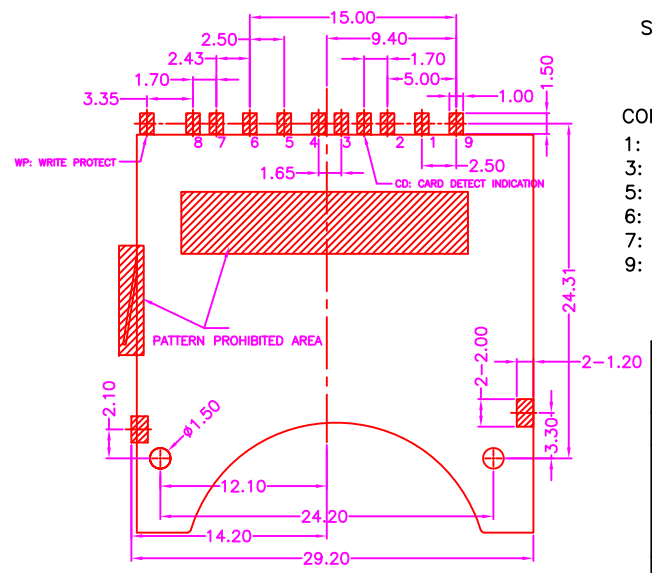
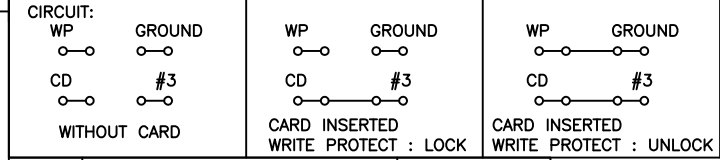
PART NUMBER:

4MCFD - 1 1 * T - 1 2 2

SERIES ————
 NO. OF POS. ————
 CONTACT PLATED OPTION ————
 TAPE REEL PACKAGE ————
 TIN PLATING ON SOLDER TAIL ————

- 1: GOLD FLASH
- 3: 3u" GOLD
- 5: 5u" GOLD
- 6: 10u" GOLD
- 7: 15u" GOLD
- 9: 30u" GOLD

Pin No.	SD	MMC
P1	MMC-DAT3 SD-CD/DAT3	1P 1P
P2	MMC-CMD SD-CMD	2P 2P
P3	MMC-VSS1 SD-VSS1	3P 3P
P4	MMC-VDD SD-VDD	4P 4P
P5	MMC-CLK SD-CLK	5P 5P
P6	MMC-VSS2 SD-VSS2	6P 6P
P7	MMC-DAT0 SD-DAT0	7P 7P
P8	SD-DAT1	8P
P9	SD-DAT2	9P



P.C.B LAYOUT TOP VIEW ±0.05

Cyberconn Technology Co., Ltd.
 www.cyberconn.com.tw Tel+886-3-4951314

TOLERANCES	TITLE	MEMORY CARD SERIES				
X.X ±0.3		SD CARD, PCB MOUNT, SMT, METAL SHIELD PUSH-PUSH TYPE, FEMALE				
X.XX ±0.2		DRAWN BY	CHECKED BY	APPROVED BY		
X.XXX ±0.1		Janice	Lion	Benson		
Angle ±5°		UNIT	SCALE	SIZE	DRAW NO.	
		10029	MM	NONE	A4	
				4MCFD-003	REV. B	
					Sheet 1/1	

B	MODIFY DIM.	2012.3.1
A	RELEASE	2012.2.15
REV.	DESCRIPTION	DATE