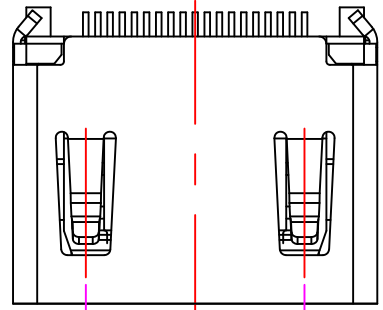


1 2 3 4 5 6 7 8

F

F



MATERIALS

HOUSING: HI-TEMP. PLASTIC (UL 94V-0)
 SHELL: COPPER ALLOY, NICKEL PLATING
 TERMINAL: COPPER ALLOY, GOLD PLATED ON CONTACT AREA
 TIN PLATING ON SOLDER TAIL

SPECIFICATION

CURRENT RATING: 0.5 AMP MAX
 DIELECTRIC WITHSTANDING: 500V AC FOR ONE MINUTE
 CONTACT RESISTANCE: 30m OHMS MAX
 INSULATION RESISTANCE: 100M OHMS MIN AT DC 500V
 OPERATION TEMPERATURE: -20°C~+85°C

TABLE 1

	DIM C=2.00	DIM C=1.70
DIM A=1.95, DIM B=1.95	0	3
DIM A=1.50, DIM B=1.50	1	4
DIM A=1.50, DIM B=1.95	2	5
DIM A=1.20, DIM B=1.20	6	

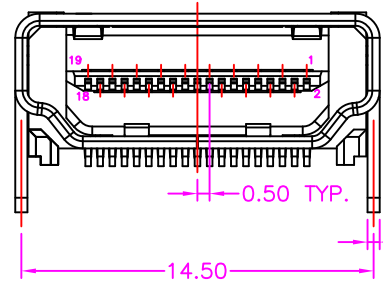
E

E

9.00

D

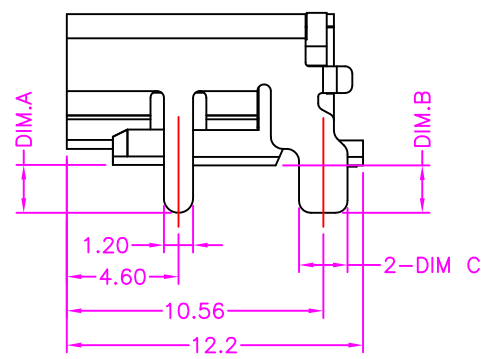
D



0.50 TYP.

14.50

0.50



DIM.A

DIM.B

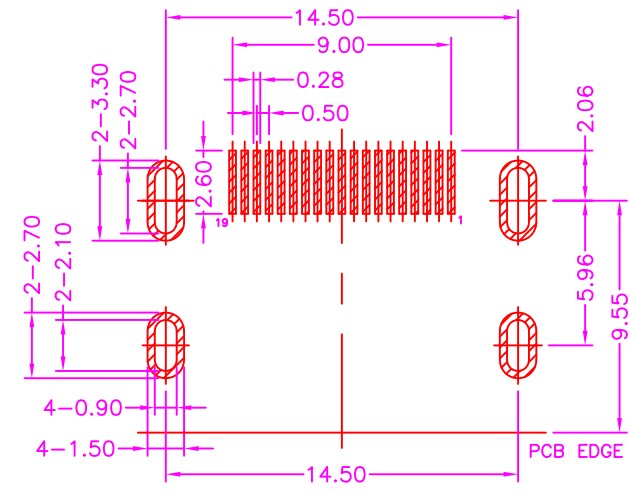
2-DIM.C

1.20

4.60

10.56

12.2



P.C.B LAYOUT TOP VIEW ±0.05

HDMI TYPE A PIN ASSIGNMENT

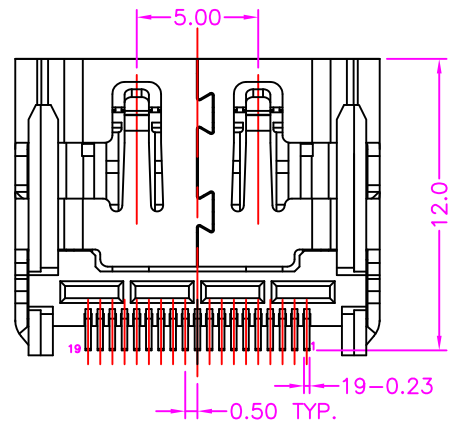
PIN	Signal Assignment
1	TMDS Data2+
2	TMDS Data2 Shield
3	TMDS Data2-
4	TMDS Data1+
5	TMDS Data1 Shield
6	TMDS Data1-
7	TMDS Data0+
8	TMDS Data0 Shield
9	TMDS Data0-
10	TMDS Clock+
11	TMDS Clock Shield
12	TMDS Clock-
13	CEC
14	Reserved (N.C. on device)
15	SCL
16	SDA
17	DDC/CEC Ground
18	+5V Power
19	Hot Plug Detect

C

C

B

B



5.00

12.00

19-0.23

0.50 TYP.

PART NUMBER:

2HDBA - 1 9 * T - 1 2 1 *

SERIES

NO. OF POS.

"A & B & C" LENGTH OPTION REF TABLE 1

TAPE REEL PACKAGE

TIN PLATING ON SOLDER TAIL

CONTACT PLATED OPTION

- 1: GOLD FLASH
- 3: 3u" GOLD
- 5: 5u" GOLD
- 7: 15u" GOLD
- 9: 30u" GOLD

Cyberconn Technology Co., Ltd.
 www.cyberconn.com.tw Tel:+886-3-4951314

TOLERANCES	TITLE HDMI CONNECTOR SERIES					
X.X ±0.3	HDMI, PCB MOUNT, SMT, METAL SHIELD, FEMALE					
X.XX ±0.2	DRAWN BY		CHECKED BY		APPROVED BY	
X.XXX ±0.1	Janice		Lion		Benson	
Angle ±5°	UNIT	SCALE	SIZE	DRAW NO.	REV.	Sheet
	10096	MM	NONE	A4	2HDBA-002	A 1/1

A	RELEASE	2012.3.1
REV.	DESCRIPTION	DATE

1 2 3 4 5 6 7 8