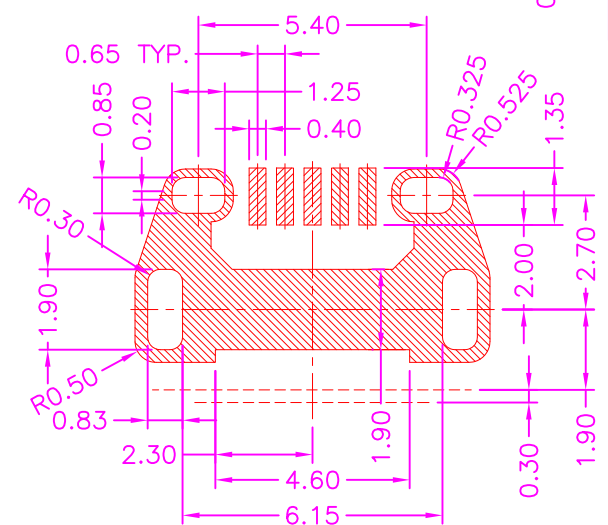
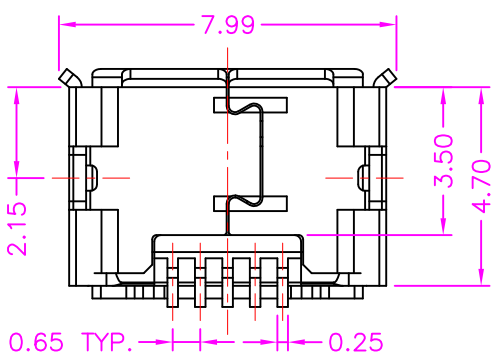
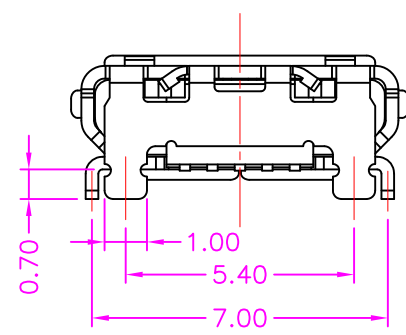
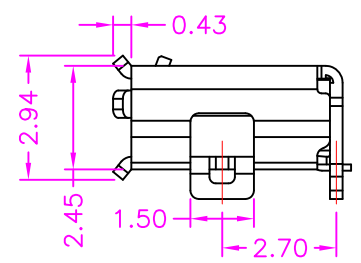
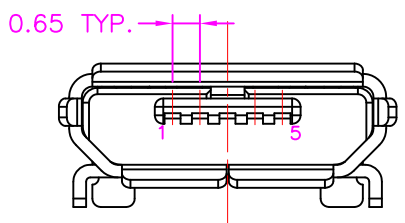


MATERIALS

HOUSING: LCP (UL 94V-0), BLACK
 SHELL: STAINLESS STEEL, TIN PLATING
 TERMINAL: COPPER ALLOY, GOLD PLATING

SPECIFICATION

CURRENT RATING: 1.8 AMP MAX (ONLY PIN 1, 5), OTHER 1 AMP MAX
 DIELECTRIC WITHSTANDING: 100V AC FOR ONE MINUTE
 CONTACT RESISTANCE: 30m OHMS MAX
 INSULATION RESISTANCE: 100M OHMS MIN AT DC 500V
 OPERATION TEMPERATURE: -25°C~+105°C



PART NUMBER:
 2USTA - 0.5 * - 1 * 1

SERIES
 NO. OF POS.
 CONTACT PLATED OPTION
 1: GOLD FLASH
 3: 3u" GOLD
 5: 5u" GOLD
 7: 15u" GOLD
 9: 30u" GOLD

PACKAGE OPTION
 2: TAPE REEL
 3: TUBE

Cyberconn Technology Co., Ltd.
 www.cyberconn.com.tw Tel: +886-3-4951314

TOLERANCES	TITLE					
X.X ±0.3	USB CONNECTOR SERIES					
X.XX ±0.2	MICRO USB B TYPE, PCB MOUNT, SMT					
X.XXX ±0.1	METAL SHIELD, FEMALE					
Angle ±5°	DRAWN BY	CHECKED BY		APPROVED BY		
	Janice	Lion		Benson		
	UNIT	SCALE	SIZE	DRAW NO.	REV.	Sheet
	10001	MM	NONE	A4	2USTA-002	A 1/1

A	RELEASE	2012.2.15
REV.	DESCRIPTION	DATE

P.C.B LAYOUT
 TOP VIEW ±0.05