

PIN	A	B	C	D	E
10	11.60	11.20	9.60	5.61	4.50
20	16.60	16.20	14.60	10.61	9.50
24	18.60	18.20	16.60	12.61	11.50
26	19.60	19.20	17.60	13.61	12.50
28	20.60	20.20	18.60	14.61	13.50
30	21.60	21.20	19.60	15.61	14.50
32	22.60	22.20	20.60	16.61	15.50
40	26.60	26.20	24.60	20.61	19.50
45	29.10	28.70	27.10	23.11	22.00
50	31.60	31.20	29.60	25.61	24.50
54	33.60	33.20	31.60	27.61	26.50

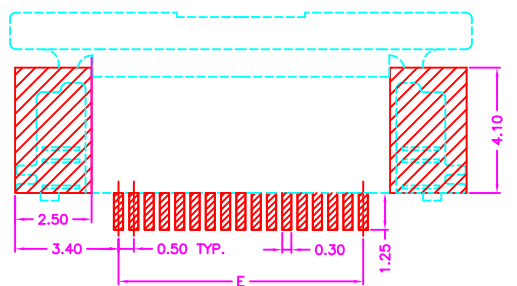
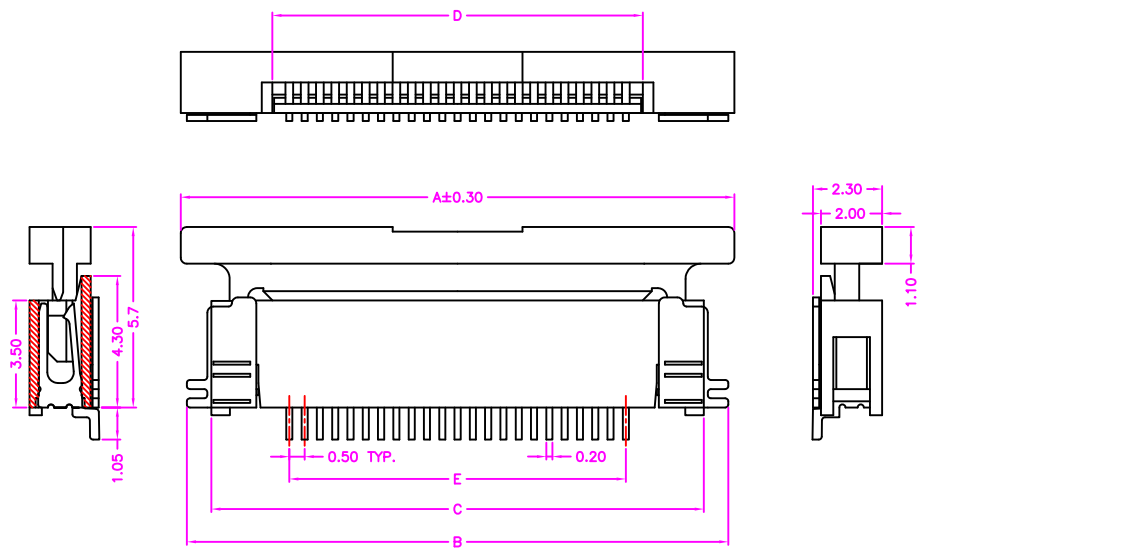
TABLE 1

MATERIALS

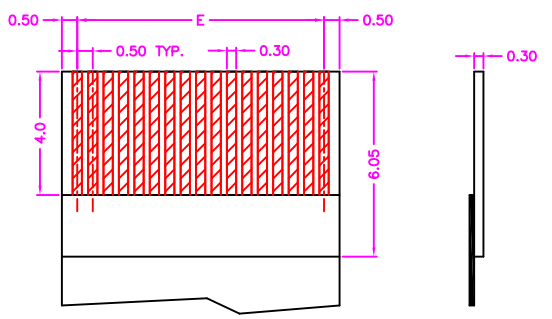
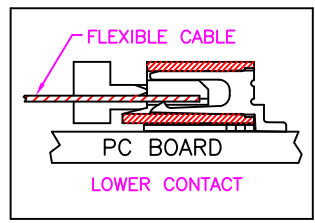
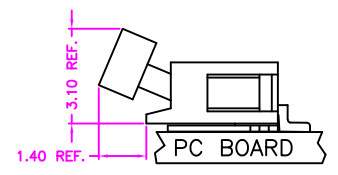
HOUSING: HI-TEMP. PLASTIC (UL 94V-0)
 ACTUATOR: HI-TEMP. PLASTIC (UL 94V-0), BLACK
 SOLDER PAD: COPPER ALLOY, TIN PLATING
 TERMINAL: COPPER ALLOY, TIN PLATING

SPECIFICATION

CURRENT RATING: 0.5 AMP MAX
 DIELECTRIC WITHSTANDING: 250V AC FOR ONE MINUTE
 CONTACT RESISTANCE: 30m OHMS MAX
 INSULATION RESISTANCE: 50M OHMS MIN AT DC 250V
 OPERATION TEMPERATURE: -55°C~+85°C



P.C.B LAYOUT
TOP VIEW ±0.05



APPLICABLE FPC
PRECOMMENDED DIMENSION

PART NUMBER:

1FPDF - 2 * * T - 1 * 1

SERIES — 1
 BOTTOM CONTACT — 2
 NO. OF POS. — *
 REF. TABLE — *
 PACKAGE OPTION — T
 2: TAPE REEL
 3: TUBE
 TIN PLATING ON TERMINAL — 1

Cyberconn Technology Co., Ltd.
 www.cyberconn.com.tw Tel:+886-3-4951314

TOLERANCES	TITLE	FPC CONNECTOR SERIES				
X.X ±0.3 X.XX ±0.2 X.XXX±0.1 Angle ±5°		FPC 0.50mm PITCH, PCB MOUNT, SMT BOTTOM CONTACT, ZIF, FEMALE, H=2.30mm				
	DRAWN BY	CHECKED BY	APPROVED BY			
	Janice	Lion	Benson			
UNIT	SCALE	SIZE	DRAW NO.	REV.	Sheet	
10010	MM	NONE	A4	1FPDF-002	A 1/1	

A	RELEASE	2011.12.27
REV.	DESCRIPTION	DATE