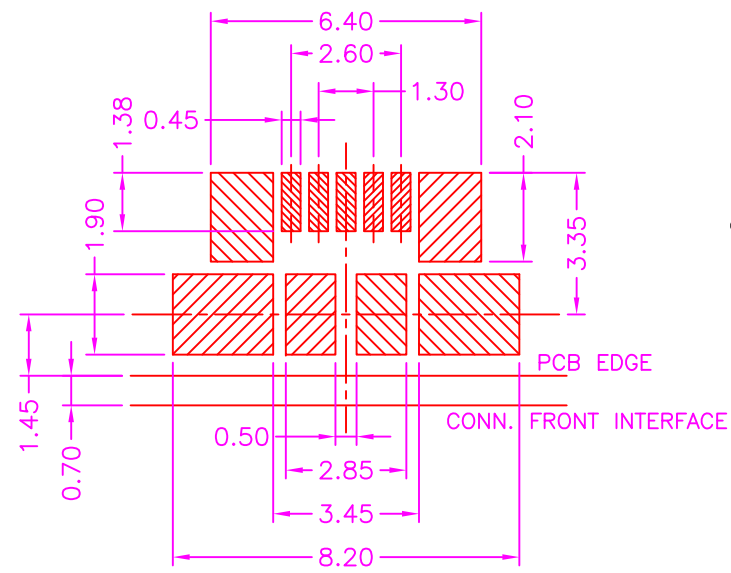
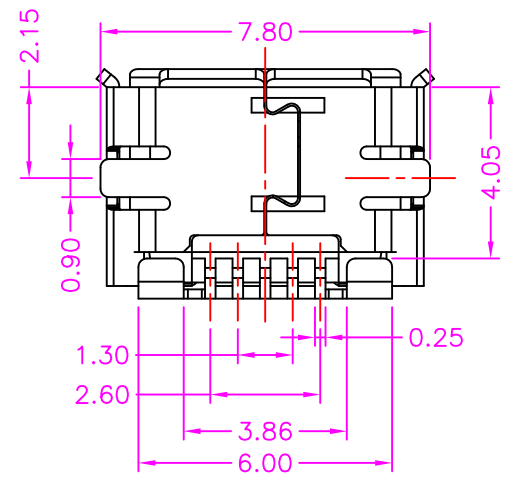


MATERIALS

HOUSING: LCP (UL 94V-0), BLACK
 SHELL: STAINLESS STEEL, TIN PLATING
 TERMINAL: COPPER ALLOY, GOLD PLATING

SPECIFICATION

CURRENT RATING: 1.8 AMP MAX (ONLY PIN 1, 5), OTHER 1 AMP MAX
 DIELECTRIC WITHSTANDING: 100V AC FOR ONE MINUTE
 CONTACT RESISTANCE: 30m OHMS MAX
 INSULATION RESISTANCE: 100M OHMS MIN AT DC 500V
 OPERATION TEMPERATURE: -25°C~+105°C



PART NUMBER:
 2USTB - 0 5 * - 1 * 1

SERIES — NO. OF POS. — CONTACT PLATED OPTION
 1: GOLD FLASH
 3: 3u" GOLD
 5: 5u" GOLD

PACKAGE OPTION
 2: TAPE REEL
 3: TUBE

Cyberconn Technology Co., Ltd. <small>www.cyberconn.com.tw Tel:+886-3-4951314</small>						
TOLERANCES		TITLE				
X.X ±0.3		USB CONNECTOR SERIES				
X.XX ±0.2		MICRO USB B TYPE, PCB MOUNT, SMT, METAL SHIELD				
X.XXX ±0.1		FEMALE				
Angle ±5°		DRAWN BY		CHECKED BY		APPROVED BY
		Janice		Lion		Benson
UNIT		SCALE	SIZE	DRAW NO.	REV.	Sheet
10001		MM	NONE	A4	2USTB-002	A 1/1

A	RELEASE	2011.11.15
REV.	DESCRIPTION	DATE