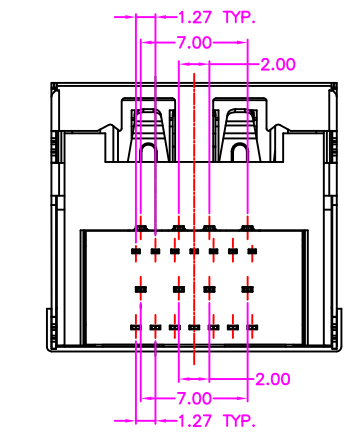
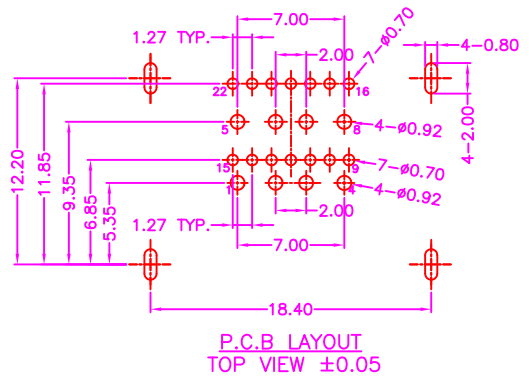
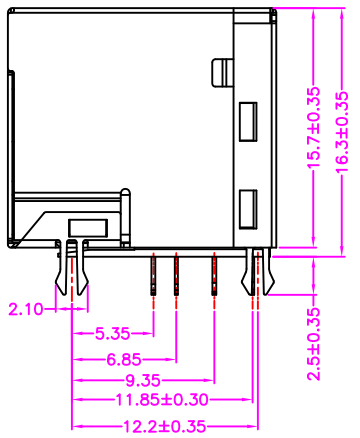
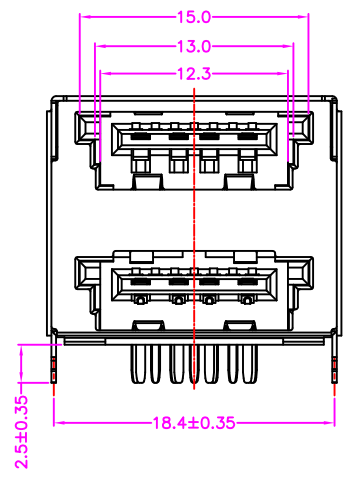


MATERIALS

HOUSING: HI-TEMP. PLASTIC (UL 94V-0), BLACK
 SHELL: STAINLESS STEEL, NICKEL PLATING
 TERMINAL: COPPER ALLOY, GOLD PLATED ON CONTACT AREA
 TIN PLATING ON SOLDER TAIL



PART NUMBER:
 2EUSC - 2 2 * T - 1 1 0

SERIES — NO. OF POS. — TIN PLATING ON SOLDER TAIL — TRAY PACKAGE

CONTACT PLATED OPTION
 1: GOLD FLASH
 3: 3u" GOLD
 5: 5u" GOLD
 6: 10u" GOLD
 7: 15u" GOLD
 9: 30u" GOLD

PIN DEFINITION

| USB | | E-SATA | | E-SATA | |
|------|------|--------|------|--------|------|
| NAME | TYPE | NAME | TYPE | NAME | TYPE |
| P1 | VBUS | P9 | GND | P16 | GND |
| P2 | D- | P10 | A+ | P17 | A+ |
| P3 | D+ | P11 | A- | P18 | A- |
| P4 | GND | P12 | GND | P19 | GND |
| P5 | VBUS | P13 | B- | P20 | B- |
| P6 | D- | P14 | B+ | P21 | B+ |
| P7 | D+ | P15 | GND | P22 | GND |
| P8 | GND | | | | |

Cyberconn Technology Co., Ltd.
 www.cyberconn.com.tw Tel: +886-3-4951314

| | | | | | |
|------------|--|------------|-------------|-----------|------------|
| TOLERANCES | E-SATA + USB CONNECTOR SERIES | | | | |
| X.X ±0.3 | TITLE | | | | |
| X.XX ±0.2 | STACKED 7PIN E-SATA + 4PIN USB, PCB MOUNT, R/A | | | | |
| X.XXX ±0.1 | METAL SHIELD, FEMALE WITH BOARDLOCK | | | | |
| Angle ±5° | DRAWN BY | CHECKED BY | APPROVED BY | | |
| | Janice | Lion | Benson | | |
| | UNIT | SCALE | SIZE | DRAW NO. | REV. Sheet |
| | 10046 | MM NONE | A4 | 2EUSC-001 | A 1/1 |

| | | |
|------|-------------|------------|
| A | RELEASE | 2011.10.24 |
| REV. | DESCRIPTION | DATE |