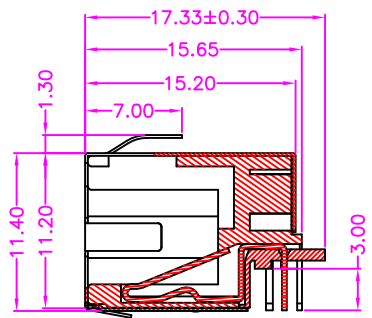
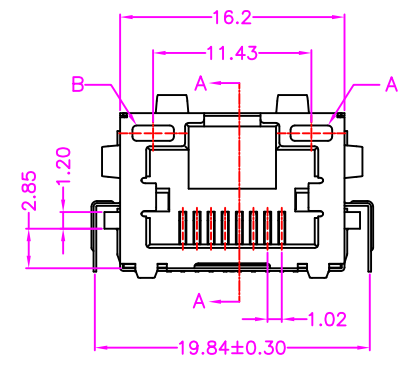
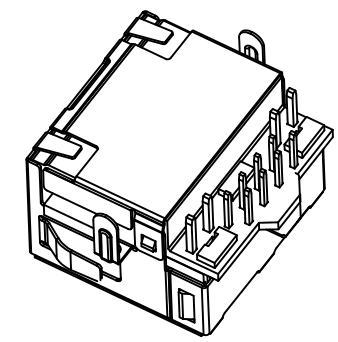
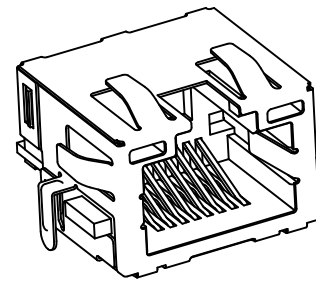
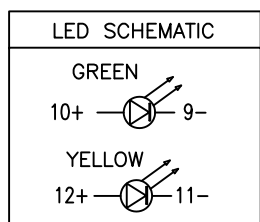
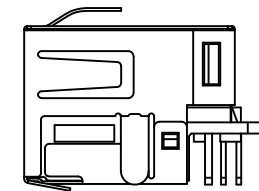


LED OPTION		
P/N	LEFT "B"	RIGHT "A"
0	NONE	NONE
1	YELLOW	GREEN
2	GREEN	YELLOW
3	YELLOW	YELLOW
4	GREEN	GREEN

TABLE 1



SECTION A-A

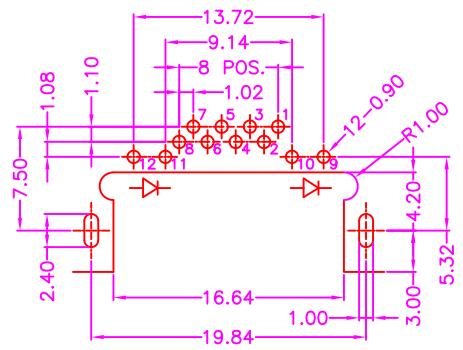
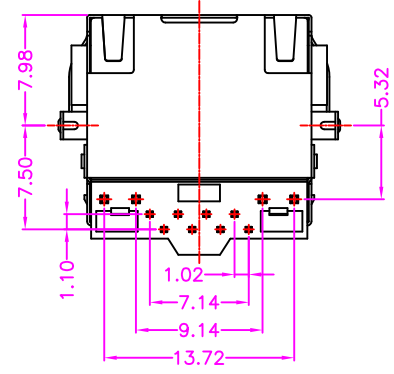


MATERIALS

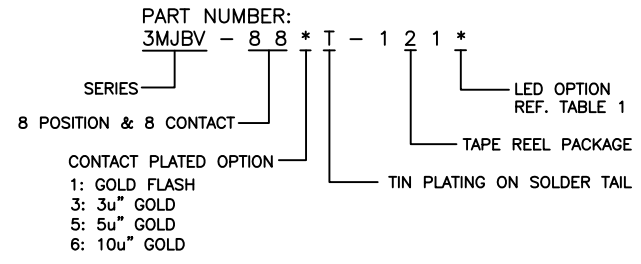
HOUSING: LCP (UL 94V-0)
 SHELL: COPPER ALLOY, NICKEL PLATING
 TERMINAL: COPPER ALLOY, GOLD PLATED ON CONTACT AREA
 TIN PLATING ON SOLDER TAIL

SPECIFICATION

CURRENT RATING: 1.5 AMP MAX
 DIELECTRIC WITHSTANDING: 500V AC FOR ONE MINUTE
 CONTACT RESISTANCE: 30m OHMS MAX
 INSULATION RESISTANCE: 1000M OHMS MIN AT DC 500V
 OPERATION TEMPERATURE: -40°C~+85°C



P.C.B LAYOUT TOP VIEW ±0.05



Cyberconn Technology Co., Ltd.
 www.cyberconn.com.tw Tel:+886-3-4951314

TOLERANCES	MODULAR JACK SERIES					
X.X ±0.3	TITLE RJ45, PCB MOUNT, SIDE ENTRY, METAL SHIELD, BOARD CUT, WITH SPRING & LED					
X.XX ±0.2	DRAWN BY		CHECKED BY		APPROVED BY	
X.XXX ±0.1	Janice		Lion		Benson	
Angle ±5°	UNIT	SCALE	SIZE	DRAW NO.	REV.	Sheet
	10081	MM	NONE	A4	3MJBV-002	A 1/1

A	RELEASE	2011.10.13
REV.	DESCRIPTION	DATE