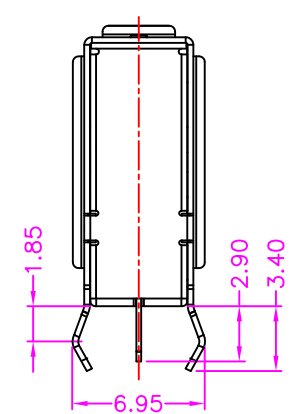
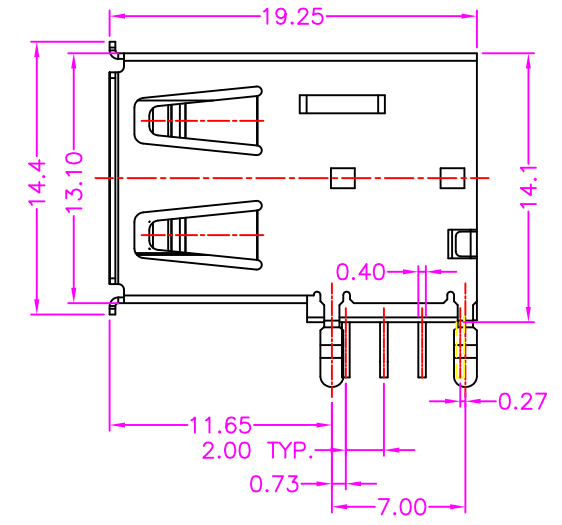
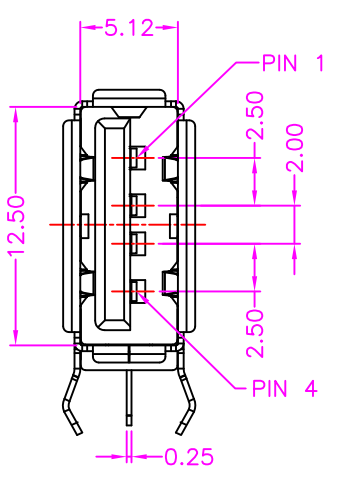


MATERIALS
 HOUSING: PBT (UL 94V-0)
 SHELL: COPPER ALLOY
 TERMINAL: COPPER ALLOY, GOLD PLATED ON CONTACT AREA
 TIN PLATING ON SOLDER TAIL

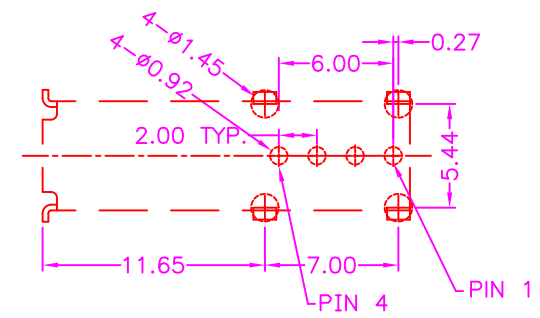
SPECIFICATION
 CURRENT RATING: 1 AMP MAX
 DIELECTRIC WITHSTANDING: 500V AC FOR ONE MINUTE
 CONTACT RESISTANCE: 30m OHMS MAX
 INSULATION RESISTANCE: 1000M OHMS MIN AT DC 500V
 OPERATION TEMPERATURE: -25°C~+105°C



PART NUMBER:
 2USAU - 0 4 * T - 1 1 0 *

SERIES — NO. OF POS. — COLOR OPTION
 BLANK: BLACK
 W: WHITE
 GR: GRAY

CONTACT PLATED OPTION — TRAY PACKAGE
 1: GOLD FLASH
 3: 3u" GOLD
 5: 5u" GOLD
 6: 10u" GOLD
 TIN PLATING ON SOLDER TAIL



P.C.B. LAYOUT
 TOP VIEW ±0.05

A	RELEASE	2011.9.26
REV.	DESCRIPTION	DATE

Cyberconn Technology Co., Ltd.
 www.cyberconn.com.tw Tel: +886-3-4951314

TOLERANCES	USB CONNECTOR SERIES				
X.X ±0.3	TITLE USB A TYPE, PCB MOUNT, UPRIGHT, METAL SHIELD FEMALE				
X.XX ±0.2	DRAWN BY	CHECKED BY	APPROVED BY		
X.XXX ±0.1	Janice	Lion	Benson		
Angle ±5°	UNIT	SCALE	SIZE	DRAW NO.	REV.
	10006&10057	MM	NONE	A4	2USAU-001
					Sheet
					1/1