

CTC 1 2 3 4 5 6 7 8 CTC

F

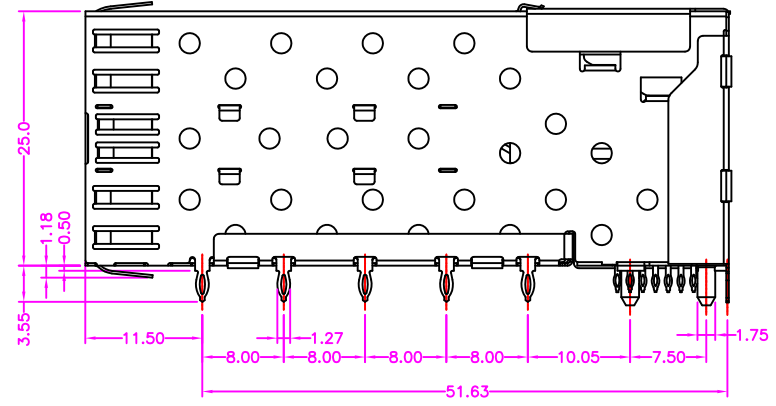
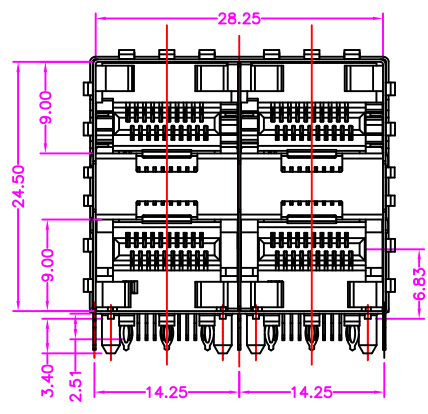
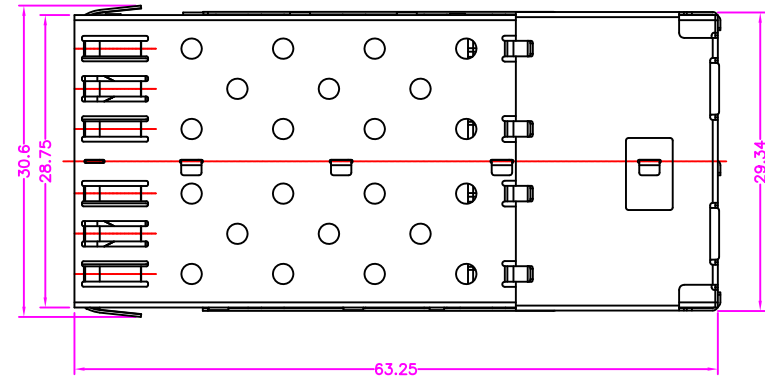
E

D

C

B

A



PART NUMBER:
022BC - 0 * N - 1 0

SERIES

TRAY PACKAGE

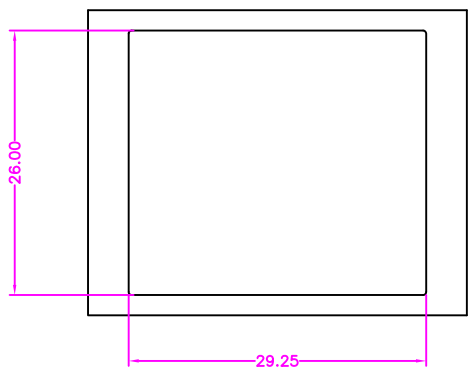
CONNECTOR TERMINAL PLATING OPTION
1: GOLD FLASH
7: 15u" GOLD

Cyberconn Technology Co., Ltd.
www.cyberconn.com.tw Tel:+886-3-4951314

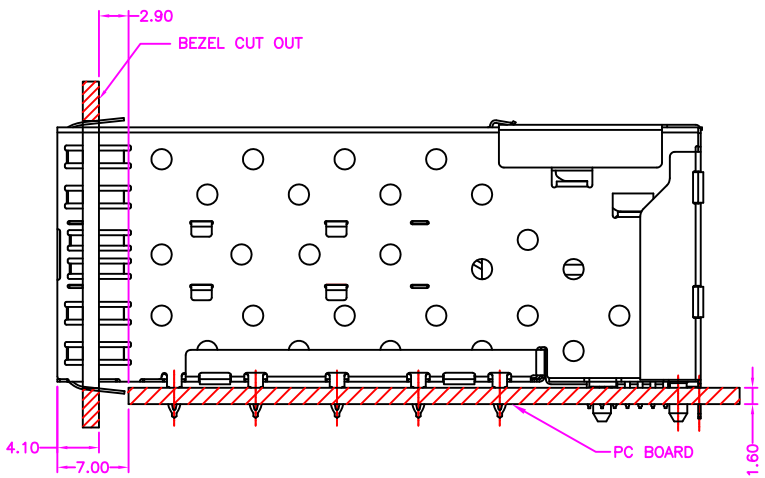
TOLERANCES	SFP SERIES				
X.X ±0.3	TITLE SFP 2x2 CAGE, R/A, METAL SHIELD, PRESS FIT TYPE WITH CONNECTOR				
X.XX ±0.2	DRAWN BY		CHECKED BY		APPROVED BY
X.XXX ±0.1	Janice		Lion		Benson
Angle ±5°	UNIT	SCALE	SIZE	DRAW NO.	REV.
	10001	MM	NONE	A4	022BC-001
					Sheet
					1/1

A	RELEASE	2011.7.21
REV.	DESCRIPTION	DATE

CTC 1 2 3 4 5 6 7 8 CTC



BEZEL CUT-OUT CENTER SPACING DETAIL
BEZEL THICKNESS:0.8-2.6



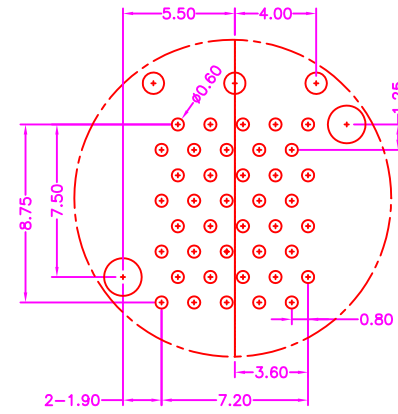
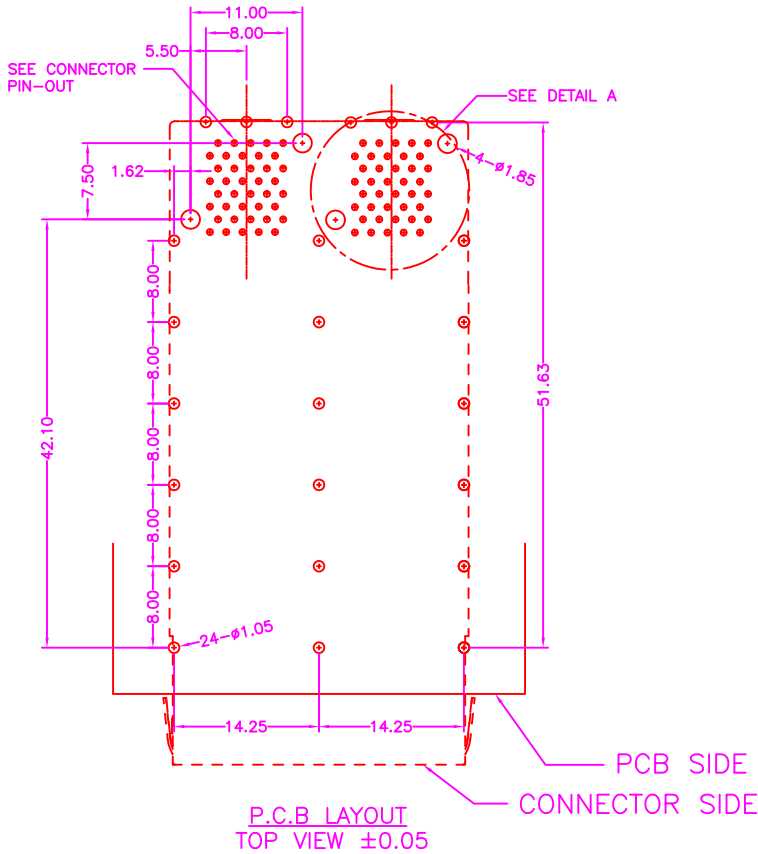
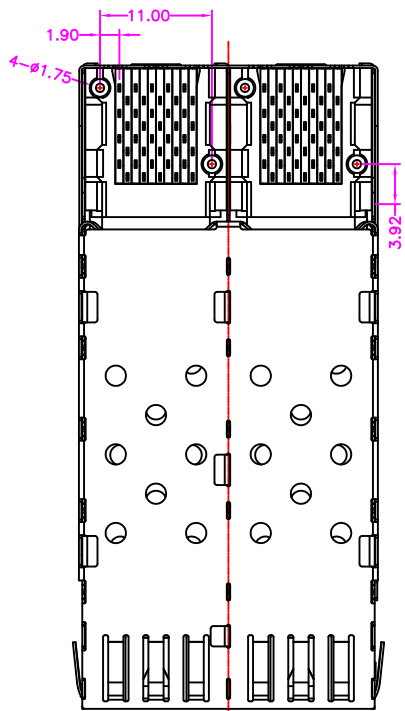
MATERIALS

- SFP CONNECTOR
- HOUSING: LCP (UL 94V-0), BLACK
- TERMINAL: COPPER ALLOY, GOLD PLATED ON CONTACT AREA
TIN PLATING ON SOLDER TAIL
- SFP CAGE
- METAL SHIELD: COPPER ALLOY, NICKEL PLATING

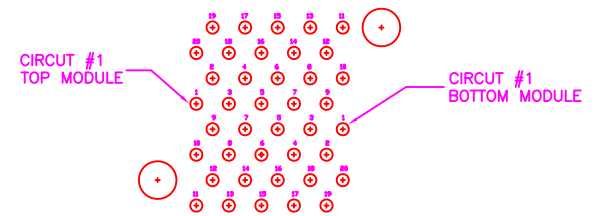
Cyberconn Technology Co., Ltd.
www.cyberconn.com.tw Tel:+886-3-4951314

TOLERANCES X.X ±0.3 X.XX ±0.2 X.XXX ±0.1 Angle ±5°	SFP SERIES TITLE SFP 2x2 CAGE, R/A, METAL SHIELD, PRESS FIT TYPE WITH CONNECTOR					
	DRAWN BY		CHECKED BY		APPROVED BY	
	Janice		Lion		Benson	
	UNIT	SCALE	SIZE	DRAW NO.	REV.	Sheet
10001	MM	NONE	A4	022BC-001-1	A	1/1

A	RELEASE	2011.7.21
REV.	DESCRIPTION	DATE



DEATIL A
SCALE 2:1



CONNECTOR PIN-OUT
COMPONENT SIDE OF BOARD
DEATIL A
SCALE 2:1

A	RELEASE	2011.7.21
REV.	DESCRIPTION	DATE

Cyberconn Technology Co., Ltd. www.cyberconn.com.tw Tel:+886-3-4951314						
TOLERANCES		SFP SERIES				
X.X ±0.3		TITLE SFP 2x2 CAGE, R/A, METAL SHIELD, PRESS FIT TYPE WITH CONNECTOR				
X.XX ±0.2						
X.XXX ±0.1		DRAWN BY	CHECKED BY	APPROVED BY		
Angle ±5°		<i>Janice</i>	<i>Lion</i>	<i>Benson</i>		
	UNIT	SCALE	SIZE	DRAW NO.	REV.	Sheet
	10001	MM	NONE	A4	022BC-001-2	A